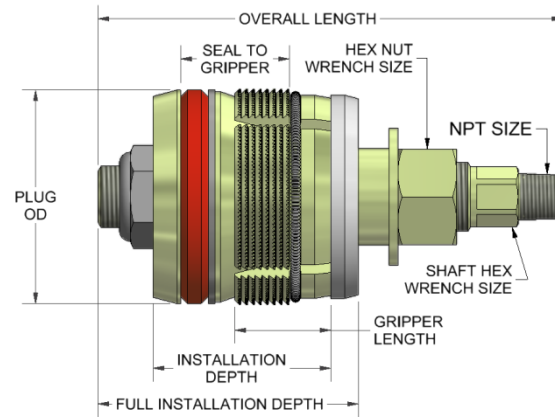


GripTight® Long Radius Elbow Test Plug Technical Specifications



Part Number	Nominal Pipe Size	Elbow Schedule	Functional I.D. Range				Plug OD		Total clearance from Min. I.D.		NPT Size	Shaft / Port I.D.		Overall Length		Seal to Gripper		Gripper Length		Installation Depth		Full Installation Depth		Maximum Test Pressure		Shaft Hex Wrench Size	Hex Nut Wrench Size	Approximate Shipping Weight			
			(in)		(mm)																										
			NPS	Min.	Max.	Min.	Max.	(in)	(mm)	(in)	(mm)	-	(in)	(mm)	(in)	(mm)	(in)	(mm)	(in)	(mm)	(in)	(mm)	(in)	(mm)	(PsiG)	(BarG)	(in)	(in)	(lbs)	(kg)	
GTLBO-2P160	2	160	1.66	-	1.77	42.2	-	45.0	1.60	40.6	0.06	1.5	1/4	0.25	6.4	5 - 3/4	146	1.53	38.8	0.85	22	2.21	56.2	2.67	67.7	3350	231	1/2	15/16	2 - 1/2	1.1
GTLBO-25PXXS	2 1/2	XXS	1.74	-	1.91	44.2	-	48.5	1.68	42.7	0.06	1.5	1/4	0.25	6.4	5 - 3/4	146	1.53	38.8	0.85	22	2.21	56.2	2.67	67.7	3350	231	1/2	15/16	2 - 1/2	1.1
GTLBO-2P80	2	80	1.91	-	1.99	48.5	-	50.5	1.81	46.0	0.10	2.5	3/8	0.44	11.2	6	152	1.51	38.5	0.85	22	2.24	56.9	2.86	72.8	3350	231	11/16	1 - 5/16	2 - 1/2	1.1
GTLBO-2P40	2	40	2.04	-	2.12	51.8	-	53.8	1.94	49.3	0.10	2.5	3/8	0.44	11.2	6	152	1.51	38.5	0.85	22	2.24	56.9	2.86	72.8	3350	231	11/16	1 - 5/16	2 - 3/4	1.2
GTLBO-2P10	2	10	2.10	-	2.22	53.3	-	56.4	2.00	50.8	0.10	2.5	3/8	0.44	11.2	6	152	1.57	39.9	0.85	22	2.29	58.3	2.92	74.2	3350	231	11/16	1 - 5/16	3	1.4
GTLBO-25P160	2 1/2	160	2.10	-	2.20	53.3	-	55.9	2.00	50.8	0.10	2.5	3/8	0.44	11.2	6	152	1.57	39.9	0.85	22	2.29	58.3	2.92	74.2	3350	231	11/16	1 - 5/16	3	1.4
GTLBO-25P80	2 1/2	80/XXS	2.27	-	2.45	57.7	-	62.2	2.17	55.1	0.10	2.5	3/8	0.44	11.2	6	152	1.57	39.9	0.85	22	2.29	58.3	2.92	74.2	3350	231	11/16	1 - 5/16	3 - 1/2	1.6
GTLBO-3PXXS	3	XXS	2.27	-	2.45	57.7	-	62.2	2.17	55.1	0.10	2.5	3/8	0.44	11.2	6	152	1.57	39.9	0.85	22	2.29	58.3	2.92	74.2	3350	231	11/16	1 - 5/16	4	1.8
GTLBO-25P40	2 1/2	40	2.44	-	2.54	62.0	-	64.5	2.34	59.4	0.10	2.5	1/2	0.56	14.2	8 - 7/16	214	1.55	39.5	1.00	25	2.55	64.9	3.55	90.3	3350	231	1	1 - 7/8	6	2.7
GTLBO-25P10	2 1/2	10	2.60	-	2.74	66.0	-	69.6	2.50	63.5	0.10	2.5	1/2	0.56	14.2	8 - 7/16	214	1.86	47.2	1.11	28	2.72	69.1	3.72	94.5	3350	231	1	1 - 7/8	6 - 3/4	3.1
GTLBO-3P160	3	160	2.60	-	2.74	66.0	-	69.6	2.50	63.5	0.10	2.5	1/2	0.56	14.2	8 - 7/16	214	1.86	47.2	1.11	28	2.72	69.1	3.72	94.5	3350	231	1	1 - 7/8	6 - 3/4	3.1
GTLBO-35PXXS	3 1/2	XXS	2.70	-	2.89	68.6	-	73.4	2.60	66.0	0.10	2.5	1/2	0.56	14.2	8 - 7/16	214	1.94	49.3	1.11	28	2.80	71.2	3.80	96.6	3350	231	1	1 - 7/8	7	3.2
GTLBO-3P80	3	80	2.87	-	2.98	72.9	-	75.7	2.77	70.4	0.10	2.5	1/2	0.56	14.2	8 - 7/16	214	1.83	46.5	1.11	28	2.69	68.4	3.69	93.8	3350	231	1	1 - 7/8	7 - 1/2	3.4
GTLBO-3P40	3	40	3.04	-	3.14	77.2	-	79.8	2.94	74.7	0.10	2.5	1/2	0.56	14.2	8 - 7/16	214	1.83	46.5	1.11	28	2.69	68.4	3.69	93.8	3350	231	1	1 - 7/8	8	3.6
GTLBO-4PXXS	4	XXS	3.12	-	3.32	79.2	-	84.3	3.02	76.7	0.10	2.5	1/2	0.56	14.2	8 - 7/16	214	2.18	55.4	1.74	44	3.43	87.2	4.43	112.6	3350	231	1	1 - 7/8	8 - 3/4	4.0
GTLBO-35P80	3 1/2	80	3.33	-	3.44	84.6	-	87.4	3.23	82.0	0.10	2.5	1/2	0.56	14.2	8 - 7/16	214	2.07	52.6	1.74	44	3.32	84.4	4.32	109.8	3350	231	1	1 - 7/8	9	4.4
GTLBO-4P160	4	160	3.41	-	3.57	86.6	-	90.7	3.31	84.1	0.10	2.5	1/2	0.56	14.2	8 - 7/16	214	2.15	54.7	1.74	44	3.40	86.5	4.40	111.9	3350	231	1	1 - 7/8	9 - 1/2	4.3
GTLBO-35P40	3 1/2	40	3.52	-	3.63	89.4	-	92.2	3.42	86.9	0.10	2.5	1/2	0.56	14.2	8 - 7/16	214	2.07	52.6	1.74	44	3.32	84.4	4.32	109.8	3350	231	1	1 - 7/8	10	4.5
GTLBO-4P120	4	120	3.60	-	3.74	91.4	-	95.0	3.50	88.9	0.10	2.5	1/2	0.56	14.2	8 - 7/16	214	2.10	53.3	1.74	44	3.35	85.1	4.35	110.5	3350	231	1	1 - 7/8	10 - 1/4	4.6
GTLBO-4P80	4	80	3.80	-	3.91	96.5	-	99.3	3.70	94.0	0.10	2.5	1/2	0.56	14.2	8 - 7/16	214	2.13	54.0	1.74	44	3.38	85.8	4.38	111.2	3350	231	1	1 - 7/8	11 - 1/4	5.1
GTLBO-35P5	3 1/2	5	3.80	-	3.91	96.5	-	99.3	3.70	94.0	0.10	2.5	1/2	0.56	14.2	8 - 7/16	214	2.13	54.0	1.74	44	3.38	85.8	4.38	111.2	3350	231	1	1 - 7/8	11 - 1/4	5.1
GTLBO-4P40	4	40	4.00	-	4.11	101.6	-	104.4	3.89	98.8	0.11	2.8	1/2	0.56	14.2	8 - 7/16	214	2.10	53.3	1.74	44	3.35	85.1	4.35	110.5	3350	231	1	1 - 7/8	12	5.4

Standard materials of construction: Steel body and grippers with urethane seal.

Questions? Contact EST Group Customer Service at any of the following locations.



EST Group
www.cw-estgroup.com

North, Central & South America

EST Group Corporate Office
2701 Township Line Road
Hatfield, PA 19440-1770 USA
P: +1.215.721.1100
+1.800.355.7044
F: +1.215.721.1101
est-info@curtisswright.com

Europe/ Middle East/ Africa

EST Group B.V.
Hoorn 312a
2404 HL Alphen aan den Rijn
The Netherlands
P: +31.172.418841
F: +31.172.418849
est-emea@curtisswright.com

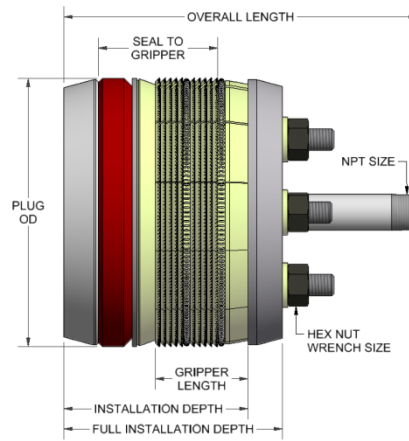
Asia Pacific

EST Group Asia
35 Tannery Road, #11-10 Tannery Block
Ruby Industrial Complex
Singapore 347740
P: +65.6745.8560
F: +65.6742.8700
est-asia@curtisswright.com

China

EST Group China
Rm 3709, China World Office 1
No. 1 Jian Guo Men Wai Avenue
Beijing 100004
P: +86.10.65058966
F: +86.10.65050966
est-china@curtisswright.com

GripTight® Long Radius Elbow Test Plug Technical Specifications



Part Number	Nominal Pipe Size	Elbow Schedule	Functional I.D. Range				Plug OD		Total clearance from Min. I.D.		NPT Size	Shaft / Port I.D.		Overall Length		Seal to Gripper		Gripper Length		Installation Depth		Full Installation Depth		Maximum Test Pressure		Number of Shafts	Hex Nut Wrench Size	Approximate Shipping Weight	
			(in)		(mm)																								
			NPS	Min.	Max.	Min.	Max.	(in)	(mm)	(in)	(mm)	-	(in)	(mm)	(in)	(mm)	(in)	(mm)	(in)	(mm)	(in)	(mm)	(in)	(mm)	(PsiG)	(BarG)	-	(in)	(lbs)
GTLBO-6PXXS	6	XXS	4.87	5.11	123.7	129.8	4.76	121	0.11	2.8	1/2	0.46	11.7	9 1/2	241	3.25	82.7	2.10	53.3	4.62	117.5	5.62	142.9	3350	231	4	3/4	23.75	10.8
GTLBO-5P40	5	40	5.02	5.14	127.5	130.6	4.91	125	0.11	2.8	1/2	0.46	11.7	9 1/2	241	2.94	74.7	2.10	53.3	4.46	113.3	5.46	138.7	3350	231	4	3/4	28	12.7
GTLBO-6P160	6	160	5.16	5.37	131.1	136.4	5.05	128	0.11	2.8	1/2	0.46	11.7	9 1/2	241	3.20	81.3	2.10	53.3	4.57	116.1	5.57	141.5	3350	231	4	3/4	28.5	12.9
GTLBO-5P10	5	10	5.27	5.39	133.9	136.9	5.16	131	0.11	2.8	1/2	0.46	11.7	9 1/2	241	2.94	74.7	2.10	53.3	4.46	113.3	5.46	138.7	3350	231	4	3/4	29	13.1
GTLBO-5P5	5	5	5.32	5.44	135.1	138.2	5.21	132	0.11	2.8	1/2	0.46	11.7	9 1/2	241	2.94	74.7	2.10	53.3	4.46	113.3	5.46	138.7	3350	231	4	3/4	30	13.6
GTLBO-6P120	6	120	5.47	5.64	138.9	143.3	5.36	136	0.11	2.8	1/2	0.46	11.7	9 1/2	241	3.17	80.6	2.10	53.3	4.54	115.4	5.54	140.8	3350	231	4	3/4	31	14.0
GTLBO-6P80	6	80	5.73	5.87	145.5	149.1	5.62	143	0.11	2.8	1/2	0.46	11.7	9 1/2	244	3.39	86.2	2.10	53.3	4.89	124.3	5.89	149.7	3350	231	4	3/4	32 - 1/2	14.7
GTLBO-6P40	6	40	6.04	6.17	153.4	156.7	5.92	150	0.12	3.0	1/2	0.46	11.7	9 3/4	247	3.39	86.2	2.10	53.3	5.01	127.3	6.01	152.7	3350	231	4	3/4	36 - 3/4	16.7
GTLBO-6P10	6	10	6.33	6.47	160.8	164.3	6.21	158	0.12	3.0	1/2	0.46	11.7	9 3/4	247	3.12	79.2	2.10	53.3	4.74	120.3	5.74	145.7	3350	231	4	1 - 1/16	38 - 1/4	17.3
GTLBO-6P5	6	5	6.38	6.52	162.1	165.6	6.26	159	0.12	3.0	1/2	0.46	11.7	9 3/4	247	1.64	41.6	2.10	53.3	4.74	120.3	5.74	145.7	3350	231	4	1 - 1/16	45	20.4
GTLBO-8P160	8	160	6.78	7.04	172.2	178.8	6.66	169	0.12	3.0	3/4	0.61	15.5	10 - 5/8	270	3.89	98.9	2.70	68.6	5.78	146.9	6.78	172.3	3350	231	4	1 - 1/16	47 - 3/4	21.6
GTLBO-8PXXS	8	XXS	6.85	7.09	174.0	180.1	6.73	171	0.12	3.0	3/4	0.61	15.5	10 - 5/8	270	3.89	98.9	2.70	68.6	5.78	146.9	6.78	172.3	3350	231	4	1 - 1/16	48 - 3/4	22.1
GTLBO-8P140	8	140	6.97	7.20	177.0	182.9	6.85	174	0.12	3.0	3/4	0.61	15.5	10 - 5/8	270	3.89	98.9	2.70	68.6	5.78	146.9	6.78	172.3	3350	231	4	1 - 1/16	50 - 1/2	22.9
GTLBO-8P120	8	120	7.16	7.37	181.9	187.2	7.04	179	0.12	3.0	3/4	0.61	15.5	10 - 5/8	270	3.76	95.4	2.70	68.6	5.65	143.4	6.65	168.8	3350	231	4	1 - 1/16	52 - 1/2	23.8
GTLBO-8P100	8	100	7.41	7.59	188.2	192.8	7.29	185	0.12	3.0	3/4	0.61	15.5	10 - 5/8	270	3.76	95.4	2.70	68.6	5.65	143.4	6.65	168.8	3350	231	4	1 - 1/16	53 - 1/2	24.2
GTLBO-8P80	8	80	7.60	7.75	193.0	196.9	7.48	190	0.12	3.0	3/4	0.61	15.5	10 - 5/8	270	3.65	92.6	2.70	68.6	5.54	140.6	6.54	166.0	3350	231	4	1 - 1/16	54 - 1/2	24.7
GTLBO-8P60	8	60	7.78	7.93	197.6	201.4	7.66	195	0.12	3.0	3/4	0.61	15.5	10 - 5/8	270	3.65	92.6	2.70	68.6	5.54	140.6	6.54	166.0	3350	231	4	1 - 1/16	58	26.3
GTLBO-8P40	8	40	7.95	8.10	201.9	205.7	7.83	199	0.12	3.0	3/4	0.61	15.5	10 - 5/8	270	3.65	92.6	2.70	68.6	5.54	140.6	6.54	166.0	3350	231	4	1 - 1/16	60 - 1/2	27.4
GTLBO-8P30	8	30	8.04	8.19	204.2	208.0	7.92	201	0.12	3.0	3/4	0.61	15.5	10 - 5/8	270	3.65	92.6	2.70	68.6	5.54	140.6	6.54	166.0	3350	231	4	1 - 1/16	63	28.5
GTLBO-8P20	8	20	8.10	8.25	205.7	209.6	7.98	203	0.12	3.0	3/4	0.61	15.5	10 - 5/8	270	3.65	92.6	2.70	68.6	5.54	140.6	6.54	166.0	3350	231	4	1 - 1/16	65	29.5
GTLBO-8P10	8	10	8.30	8.45	210.8	214.6	8.18	208	0.12	3.0	3/4	0.61	15.5	10 - 5/8	270	3.65	92.6	2.70	68.6	5.54	140.6	6.54	166.0	3350	231	4	1 - 1/16	67	30.4
GTLBO-8P5	8	5	8.38	8.53	212.9	216.7	8.26	210	0.12	3.0	3/4	0.61	15.5	10 - 5/8	270	3.65	92.6	2.70	68.6	5.54	140.6	6.54	166.0	3350	231	4	1 - 1/16	69	31.3
GTLBO-10P160	10	160	8.46	8.87	214.9	225.3	8.32	211	0.14	3.6	3/4	0.61	15.5	10 - 5/8	270	4.06	103.1	2.70	68.6	5.95	151.1	6.95	176.5	3350	231	4	1 - 1/16	71	32.2
GTLBO-10P120	10	120	9.03	9.37	229.4	238.0	8.91	226	0.12	3.0	3/4	0.61	15.5	10 - 5/8	270	4.06	103.1	2.70	68.6	5.95	151.1	6.95	176.5	3350	231	4	1 - 1/16	77	34.9

Standard materials of construction: Steel body and grippers with urethane seal.

Questions? Contact EST Group Customer Service at any of the following locations.



EST Group

www.cw-estgroup.com

North, Central & South America

EST Group Corporate Office
2701 Township Line Road
Hatfield, PA 19440-1770 USA
P: +1.215.721.1100
+1.800.355.7044
F: +1.215.721.1101

est-info@curtisswright.com

Europe/ Middle East/ Africa

EST Group B.V.
Hoorn 312a
2404 HL Alphen aan den Rijn
The Netherlands
P: +31.172.418841
F: +31.172.418849

est-emea@curtisswright.com

Asia Pacific

EST Group Asia
35 Tannery Road, #11-10 Tannery Block
Ruby Industrial Complex
Singapore 347740
P: +65.6745.8560
F: +65.6742.8700

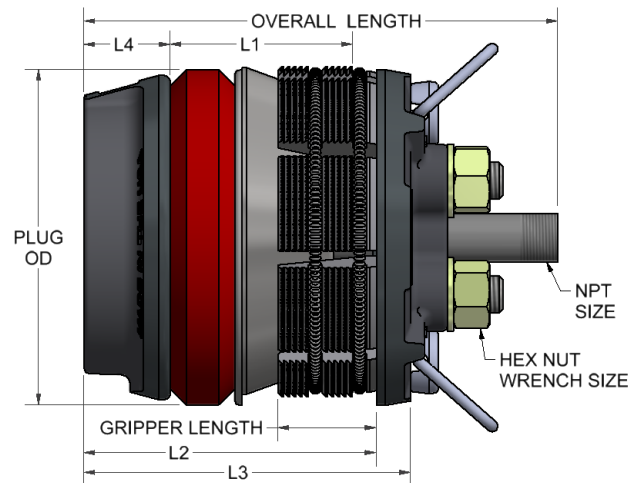
est-asia@curtisswright.com

China

EST Group China
Rm 3709, China World Office 1
No. 1 Jian Guo Men Wai Avenue
Beijing 100004
P: +86.10.65058966
F: +86.10.65050966

est-china@curtisswright.com

GripTight® Long Radius Elbow Test Plug Technical Specifications



Part Number	Nominal Pipe Size	Elbow Schedule	Functional I.D. Range				Plug OD		Total clearance from Min. I.D.		NPT Size	Shaft / Port I.D.		Overall Length		L1		Gripper Length		L2		L3		L4		Maximum Test Pressure		Number of Shafts	Hex Nut Wrench Size	Approximate Shipping Weight	
			(in)	Max.	Min.	(mm)	Max.	(in)	(mm)	(in)		(mm)	(in)	(mm)	(in)	(mm)	(in)	(mm)	(in)	(mm)	(in)	(mm)	(in)	(mm)	(in)	(mm)	(in)			(mm)	(in)
[Table body contains 36 rows of detailed specifications for various part numbers and pipe sizes.]																															

Standard materials of construction: Steel body and grippers with urethane seal.

Questions? Contact EST Group Customer Service at any of the following locations.



EST Group

www.cw-estgroup.com

North, Central & South America

EST Group Corporate Office
2701 Township Line Road
Hatfield, PA 19440-1770 USA
P: +1.215.721.1100
+1.800.355.7044
F: +1.215.721.1101

est-info@curtisswright.com

Europe/ Middle East/ Africa

EST Group B.V.
Hoorn 312a
2404 HL Alphen aan den Rijn
The Netherlands
P: +31.172.418841
F: +31.172.418849

est-emea@curtisswright.com

Asia Pacific

EST Group Asia
35 Tannery Road, #11-10 Tannery Block
Ruby Industrial Complex
Singapore 347740
P: +65.6745.8560
F: +65.6742.8700

est-asia@curtisswright.com

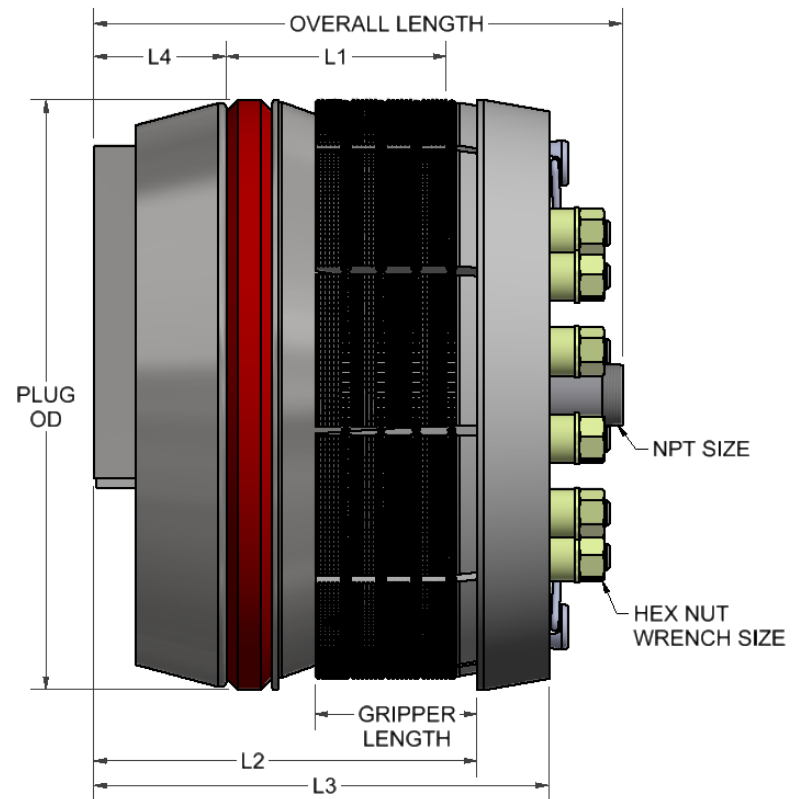
China

EST Group China
Rm 3709, China World Office 1
No. 1 Jian Guo Men Wai Avenue
Beijing 100004
P: +86.10.65058966
F: +86.10.65050966

est-china@curtisswright.cn

GripTight® Long Radius Elbow Test Plug

Technical Specifications



Part Number	Nominal Elbow Size	Elbow Schedule	Functional I.D. Range				Plug OD		Total clearance from Min. I.D.			NPT Size	Shaft / Port I.D.		Overall Length		L1		Gripper Length		L2		L3		L4		Maximum Test Pressure		Number of Shafts	Hex Nut Wrench Size	Approximate Shipping Weight		
			(in)		(mm)		(in)	(mm)	(in)	(mm)	(in)		(mm)	(in)	(mm)	(in)	(mm)	(in)	(mm)	(in)	(mm)	(in)	(mm)	(in)	(mm)	(in)	(mm)	(in)			(mm)	(lbs)	(kg)
			Min.	Max.	Min.	Max.																											
GTLBO-22PS	22	5	21.59	- 21.80	548.4	- 553.6	21.38	543	0.22	5.3	2	1.69	42.9	20 - 3/8	518	8.65	219.6	5.93	150.6	14.62	371.3	17.37	441.1	5.10	129.5	3350	231	12	1 - 5/8	720	326		
GTLBO-24P80		80	21.53	- 21.99	546.9	- 558.6	21.31	541	0.22	5.6	2	1.69	42.9	20 - 3/8	518	8.65	219.6	5.93	150.6	14.62	371.3	17.37	441.1	5.10	129.5	3350	231	12	1 - 5/8	750	340		
GTLBO-24P60		60	22.03	- 22.43	559.6	- 569.7	21.81	554	0.22	5.6	2	1.69	42.9	20 - 3/8	518	8.65	219.6	6.25	158.8	14.94	379.4	17.69	449.2	5.10	129.5	3350	231	12	1 - 5/8	770	349		
GTLBO-24P40		40	22.59	- 22.92	573.8	- 582.2	22.37	568	0.22	5.6	2	1.69	42.9	20 - 3/8	518	8.65	219.6	6.25	158.8	14.94	379.4	17.69	449.2	5.10	129.5	3350	231	12	1 - 5/8	800	362		
GTLBO-24P30		30	22.84	- 23.14	580.1	- 587.8	22.63	575	0.21	5.3	2	1.69	42.9	20 - 3/8	518	8.65	219.6	6.25	158.8	14.94	379.4	17.69	449.2	5.10	129.5	3350	231	12	1 - 5/8	850	385		
GTLBO-24PXS		XS	22.97	- 23.25	583.4	- 590.6	22.75	578	0.22	5.6	2	1.69	42.9	20 - 3/8	518	8.65	219.6	6.25	158.8	14.94	379.4	17.69	449.2	5.10	129.5	3350	231	12	1 - 5/8	900	408		
GTLBO-24PSTD		20/STD	23.22	- 23.47	589.8	- 596.1	23.00	584	0.22	5.6	2	1.69	42.9	20 - 3/8	518	8.65	219.6	6.25	158.8	14.94	379.4	17.69	449.2	5.10	129.5	3350	231	12	1 - 5/8	950	430		
GTLBO-24P10		10/5	23.47	- 23.69	596.1	- 601.7	23.25	591	0.22	5.6	2	1.69	42.9	20 - 3/8	518	8.65	219.6	6.25	158.8	14.94	379.4	17.69	449.2	5.10	129.5	3350	231	12	1 - 5/8	1000	453		

Standard materials of construction: Steel body and grippers with urethane seal.

Questions? Contact EST Group Customer Service at any of the following locations.



EST Group

www.cw-estgroup.com

North, Central & South America

EST Group Corporate Office
2701 Township Line Road
Hatfield, PA 19440-1770 USA
P: +1.215.721.1100
+1.800.355.7044
F: +1.215.721.1101
est-info@curtisswright.com

Europe/ Middle East/ Africa

EST Group B.V.
Hoorn 312a
2404 HL Alphen aan den Rijn
The Netherlands
P: +31.172.418841
F: +31.172.418849
est-emea@curtisswright.com

Asia Pacific

EST Group Asia
35 Tannery Road, #11-10 Tannery Block
Ruby Industrial Complex
Singapore 347740
P: +65.6745.8560
F: +65.6742.8700
est-asia@curtisswright.com

China

EST Group China
Rm 3709, China World Office 1
No. 1 Jian Guo Men Wai Avenue
Beijing 100004
P: +86.10.65058966
F: +86.10.65050966
est-china@curtisswright.com