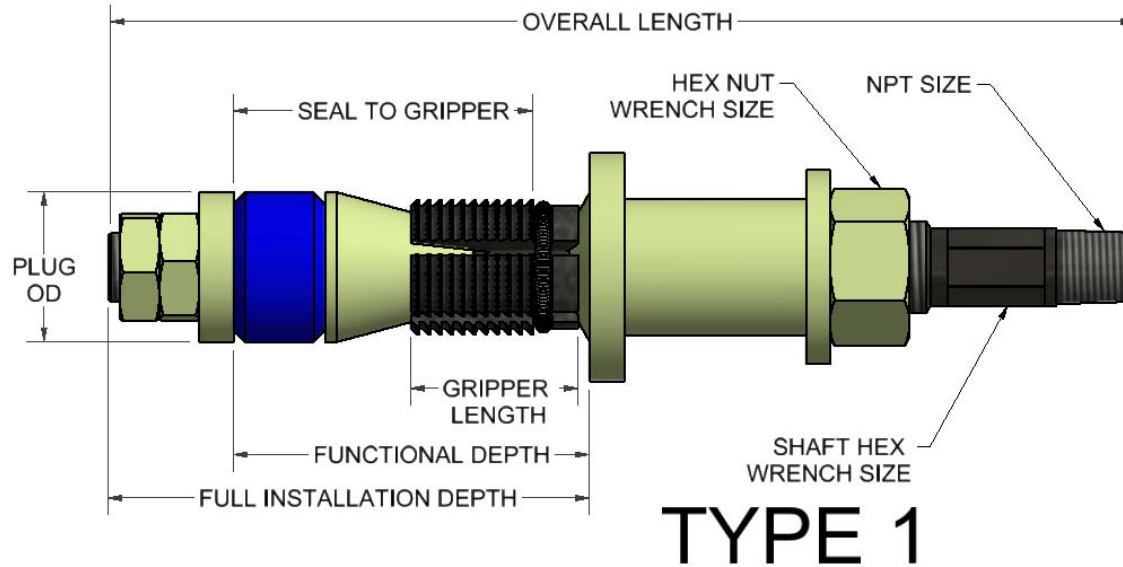


GripTight MAX[®] Test Plug Technical Specifications



TYPE 1

Part Number	Nominal Pipe Size	Pipe Schedule	Type	Functional I.D. Range				Plug OD		Total clearance from Min. I.D.			NPT Size		Shaft / Port I.D.		Overall Length		Seal to Gripper		Gripper Length		Functional Depth		Full Installation Depth		Maximum Test Pressure		Shaft Hex Wrench Size	Hex Nut Wrench Size	Approximate Shipping Weight		
				(in)		(mm)		(in)	(mm)	(in)	(mm)	(in)	(mm)	(in)	(mm)	(in)	(mm)	(in)	(mm)	(in)	(mm)	(in)	(mm)	(in)	(mm)	(in)	(mm)	(in)	(mm)	(in)	(mm)	(in)	(mm)
				Min.	Max.	Min.	Max.																										
GTMAX-038P40	3/8	40	1	0.48	- 0.52	12.2	- 13.2	0.46	11.7	0.02	0.5	1/8	0.11	2.8	5 - 5/16	135	1.24	31.6	0.52	13	1.27	32.2	1.89	48.1	15000	1034	3/8	3/4	1/2	1/4			
GTMAX-050P10	1/2	10	1	0.63	- 0.69	16.0	- 17.5	0.60	15.2	0.03	0.8	1/8	0.11	2.8	5 - 5/16	135	0.00	0.0	0.64	16	0.00	0.0	0.00	0.0	15000	1034	3/8	3/4	1/2	1/4			
GTMAX-050P40	1/2	40	1	0.57	- 0.63	14.5	- 16.0	0.54	13.7	0.03	0.8	1/8	0.11	2.8	5 - 5/16	135	1.37	34.8	0.58	15	1.40	35.6	1.96	49.9	15000	1034	3/8	3/4	1/2	1/4			
GTMAX-050P80	1/2	80	1	0.52	- 0.57	13.2	- 14.5	0.49	12.4	0.03	0.8	1/8	0.11	2.8	5 - 5/16	135	1.29	32.9	0.52	13	1.33	33.8	2.02	51.2	15000	1034	3/8	3/4	1/2	1/4			
GTMAX-050P160	1/2	160	1	0.48	- 0.52	12.2	- 13.2	0.49	12.4	0.03	0.8	1/8	0.11	2.8	5 - 5/16	135	1.29	32.9	0.52	13	1.33	33.8	2.02	51.2	15000	1034	3/8	3/4	1/2	1/4			
GTMAX-075P10	3/4	10	1	0.85	- 0.93	21.6	- 23.6	0.82	20.8	0.03	0.8	1/8	0.13	3.2	5 - 5/8	143	0.00	0.0	0.88	22	0.00	0.0	0.00	0.0	15000	1034	3/8	3/4	1/2	1/4			
GTMAX-075P40	3/4	40	1	0.77	- 0.85	19.6	- 21.6	0.74	18.8	0.03	0.8	1/8	0.13	3.2	5 - 5/8	143	1.66	42.1	0.81	21	1.70	43.2	2.16	54.8	15000	1034	3/8	3/4	1/2	1/4			
GTMAX-075P80	3/4	80	1	0.69	- 0.77	17.5	- 19.6	0.66	16.8	0.03	0.8	1/8	0.11	2.8	5 - 5/16	135	1.59	40.4	0.75	19	1.63	41.4	2.32	58.9	15000	1034	3/8	3/4	1/2	1/4			
GTMAX-075P160	3/4	160	1	0.57	- 0.63	14.5	- 16.0	0.66	16.8	0.03	0.8	1/8	0.11	2.8	5 - 5/16	135	1.59	40.4	0.75	19	1.63	41.4	2.32	58.9	15000	1034	3/8	3/4	1/2	1/4			
GTMAX-1P5	1	5	2	1.13	- 1.24	28.7	- 31.5	1.07	27.2	0.06	1.5	1/4	0.31	7.9	6 - 5/8	168	2.07	52.6	0.93	24	2.82	71.6	3.26	82.7	15000	1034	1/2	15/16	1	1/2			
GTMAX-1P10	1	10	2	1.07	- 1.20	27.2	- 30.5	1.03	26.2	0.04	1.0	1/8	0.13	3.2	6	152	1.95	49.5	0.80	20	2.63	66.7	3.00	76.2	15000	1034	3/8	3/4	3/4	1/4			
GTMAX-1P40	1	40 / STD	2	1.01	- 1.09	25.7	- 27.7	0.97	24.6	0.04	1.0	1/8	0.13	3.2	6	152	2.07	52.6	0.80	20	2.69	68.3	3.13	79.4	15000	1034	3/8	3/4	3/4	1/4			
GTMAX-1P80	1	80 / XS	2	0.93	- 1.00	23.6	- 25.4	0.89	22.6	0.04	1.0	1/8	0.13	3.2	6	152	2.07	52.6	0.80	20	2.69	68.3	3.13	79.4	15000	1034	3/8	3/4	3/4	1/4			
GTMAX-1P160	1	160	1	0.77	- 0.85	19.6	- 21.6	0.66	16.8	0.03	0.8	1/8	0.11	2.8	5 - 5/16	135	1.59	40.4	0.75	19	1.63	41.4	2.32	58.9	15000	1034	3/8	3/4	1/2	1/4			
GTMAX-1PXXS	1	XXS	1	0.57	- 0.63	14.5	- 16.0	0.66	16.8	0.03	0.8	1/8	0.11	2.8	5 - 5/16	135	1.59	40.4	0.75	19	1.63	41.4	2.32	58.9	15000	1034	3/8	3/4	1/2	1/4			

Questions? Contact EST Group Customer Service at any of the following locations.



EST Group

www.cw-estgroup.com

North, Central & South America

EST Group Corporate Office
2701 Township Line Road
Hatfield, PA 19440-1770 USA
P: +1.215.721.1100
+1.800.355.7044
F: +1.215.721.1101
est-info@curtisswright.com

Europe / Middle East / Africa

EST Group B.V.
Hoorn 312a
2404 HL Alphen aan den Rijn
The Netherlands
P: +31.172.418841
F: +31.172.418849
est-emea@curtisswright.com

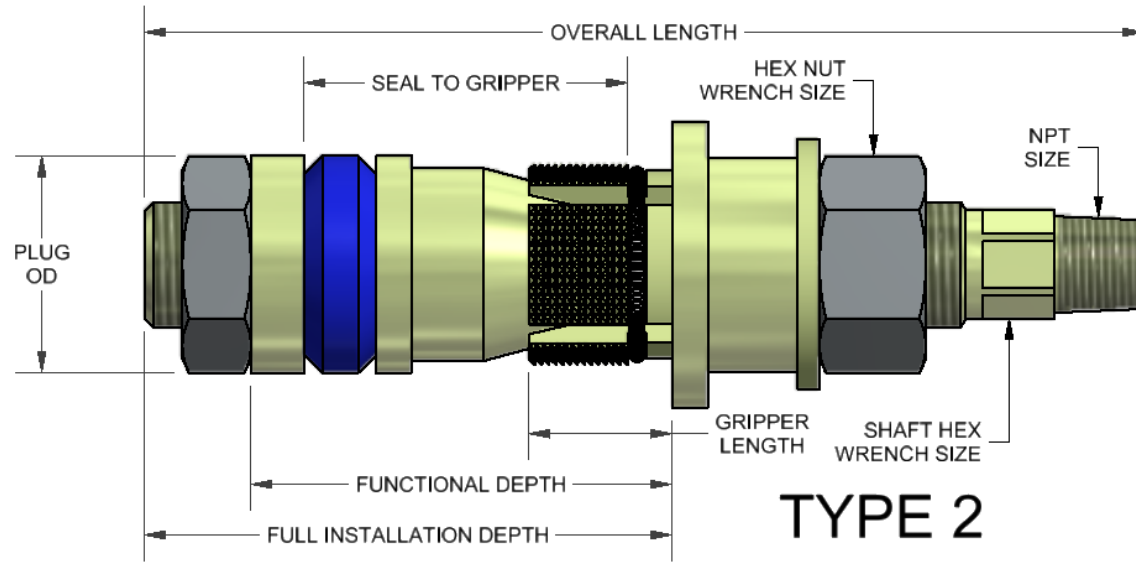
China

P +86.400.636.5077
est-china@curtisswright.cn

Singapore

P +65.3158.5052
est-asia@curtisswright.com

GripTight MAX[®] Test Plug Technical Specifications



Part Number	Nominal Pipe Size	Pipe Schedule	Type	Functional I.D. Range				Plug OD		Total clearance from Min. I.D.		NPT Size	Shaft / Port I.D.		Overall Length		Seal to Gripper		Gripper Length		Functional Depth		Full Installation Depth		Maximum Test Pressure		Shaft Hex Wrench Size	Hex Nut Wrench Size	Approximate Shipping Weight	
				(in)		(mm)		(in)	(mm)	(in)	(mm)		(in)	(mm)	(in)	(mm)	(in)	(mm)	(in)	(mm)	(in)	(mm)	(in)	(mm)	(in)	(mm)	(in)	(in)	(lbs)	(kg)
				Min.	Max.	Min.	Max.																							
GTMAX-125P5	1 1/4	5	2	1.47	- 1.61	37.3	- 40.9	1.41	35.8	0.06	1.5	3/8	7/16	11.1	7	178	1.94	49.3	1.00	25.4	2.94	74.6	3.56	90.5	15000	1034	11/16	1 - 5/16	2 - 1/4	1
GTMAX-125P10	1 1/4	10	2	1.41	- 1.49	35.8	- 37.8	1.35	34.3	0.06	1.5	3/8	7/16	11.1	7	178	1.94	49.3	1.00	25.4	2.94	74.6	3.56	90.5	15000	1034	11/16	1 - 5/16	2 - 1/4	1
GTMAX-125P40	1 1/4	40 / STD	2	1.31	- 1.43	33.3	- 36.3	1.25	31.8	0.06	1.5	1/4	0.31	7.9	6 - 5/8	168	2.06	52.4	0.93	24	2.75	69.9	3.19	81.0	15000	1034	1/2	15/16	1 1/4	1/2
GTMAX-125P80	1 1/4	80 / XS	2	1.25	- 1.33	31.8	- 33.8	1.19	30.2	0.06	1.5	1/4	0.31	7.9	6 - 5/8	168	2.00	50.8	0.93	24	2.63	66.7	3.13	79.4	15000	1034	1/2	15/16	1 1/4	1/2
GTMAX-125P160	1 1/4	160	2	1.13	- 1.24	28.7	- 31.5	1.07	27.2	0.06	1.5	1/4	0.31	7.9	6 - 5/8	168	2.06	52.4	0.93	24	2.75	69.9	3.19	81.0	15000	1034	1/2	15/16	1	1/2
GTMAX-15P5	1 1/2	5	2	1.74	- 1.91	44.2	- 48.5	1.68	42.7	0.06	1.5	3/8	7/16	11.1	7	178	1.94	49.3	1.00	25.4	2.94	74.6	3.56	90.5	15000	1034	11/16	1 - 5/16	2 - 1/2	1 1/4
GTMAX-15P10	1 1/2	10	2	1.66	- 1.77	42.2	- 45.0	1.60	40.6	0.06	1.5	3/8	7/16	11.1	7	178	1.94	49.3	1.00	25.4	2.94	74.6	3.56	90.5	15000	1034	11/16	1 - 5/16	2 - 1/2	1 1/4
GTMAX-15P40	1 1/2	40 / STD	2	1.58	- 1.66	40.1	- 42.2	1.52	38.6	0.06	1.5	3/8	7/16	11.1	7	178	1.88	47.7	1.00	25.4	2.81	71.4	3.44	87.3	15000	1034	11/16	1 - 5/16	2 - 1/4	1
GTMAX-15P80	1 1/2	80	2	1.47	- 1.61	37.3	- 40.9	1.41	35.8	0.06	1.5	3/8	7/16	11.1	7	178	1.82	46.1	1.00	25.4	2.81	71.4	3.44	87.3	15000	1034	11/16	1 - 5/16	2 - 1/4	1
GTMAX-15P160	1 1/2	160	2	1.31	- 1.43	33.3	- 36.3	1.25	31.8	0.06	1.5	1/4	0.31	7.9	6 - 5/8	168	2.00	50.8	0.93	24	2.63	66.7	3.13	79.4	15000	1034	1/2	15/16	1 1/4	1/2
GTMAX-15PX5	1 1/2	XXS	2	1.07	- 1.20	27.2	- 30.5	1.03	26.2	0.04	1.0	1/8	0.13	3.2	6	152	2.00	50.8	0.80	20	2.50	63.4	3.00	76.1	15000	1034	3/8	3/4	3/4	1/4
GTMAX-2P5	2	5	2	2.22	- 2.30	56.4	- 58.4	2.12	53.8	0.10	2.5	3/8	7/16	11.1	7	178	1.88	47.7	1.02	25.9	2.83	71.9	3.46	87.8	12000	827	11/16	1 - 5/16	3 - 1/2	1 1/2
GTMAX-2P10	2	10	2	2.10	- 2.22	53.3	- 56.4	2.00	50.8	0.10	2.5	3/8	7/16	11.1	7	178	1.94	49.3	1.02	25.9	2.90	73.5	3.52	89.4	12000	827	11/16	1 - 5/16	3 - 1/2	1 1/2
GTMAX-2P40	2	40 / STD	2	2.04	- 2.12	51.8	- 53.8	1.94	49.3	0.10	2.5	3/8	7/16	11.1	7	178	2.10	53.2	1.02	25.9	2.81	71.4	3.44	87.3	12000	827	11/16	1 - 5/16	2 - 3/4	1 1/4
GTMAX-198T			2	1.98	- 2.06	50.3	- 52.3	1.88	47.8	0.10	2.5	3/8	7/16	11.1	7	178	1.94	49.3	1.02	25.9	2.90	73.5	3.52	89.4	12000	827	11/16	1 - 5/16	3	1 1/4
GTMAX-2P80	2	80 / XS	2	1.91	- 1.99	48.5	- 50.5	1.81	46.0	0.10	2.5	3/8	7/16	11.1	7	178	2.10	53.2	1.02	25.9	2.81	71.4	3.44	87.3	12000	827	11/16	1 - 5/16	2 - 1/2	1 1/4
GTMAX-2P160	2	160	2	1.66	- 1.77	42.2	- 45.0	1.60	40.6	0.06	1.5	3/8	7/16	11.1	7	178	2.10	53.2	1.00	25.4	2.79	70.9	3.42	86.8	12000	827	11/16	1 - 5/16	2 - 1/2	1 1/4
GTMAX-2PX5	2	XXS	2	1.47	- 1.61	37.3	- 40.9	1.41	35.8	0.06	1.5	3/8	7/16	11.1	7	178	2.14	54.4	1.00	25.4	2.85	72.3	3.47	88.1	12000	827	11/16	1 - 5/16	2 - 1/4	1

Questions? Contact EST Group Customer Service at any of the following locations.



EST Group

www.cw-estgroup.com

North, Central & South America

EST Group Corporate Office
2701 Township Line Road
Hatfield, PA 19440-1770 USA
P: +1.215.721.1100
+1.800.355.7044
F: +1.215.721.1101
est-info@curtisswright.com

Europe / Middle East / Africa

EST Group B.V.
Hoorn 312a
2404 HL Alphen aan den Rijn
The Netherlands
P: +31.172.418841
F: +31.172.418849
est-emea@curtisswright.com

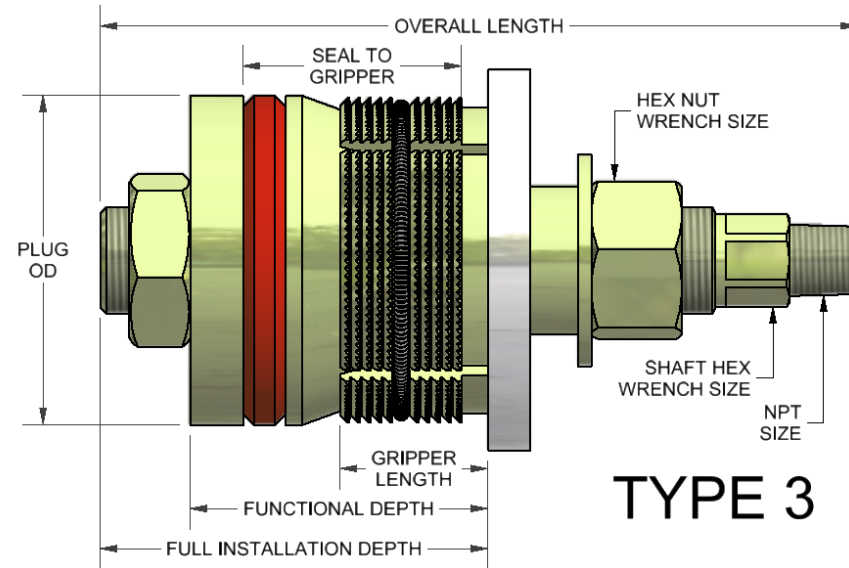
China

P +86.400.636.5077
est-china@curtisswright.cn

Singapore

P +65.3158.5052
est-asia@curtisswright.com

GripTight MAX[®] Test Plug Technical Specifications



TYPE 3

Part Number	Nominal Pipe Size	Pipe Schedule	Type	Functional I.D. Range				Plug OD		Total clearance from Min. I.D.		NPT Size	Shaft / Port I.D.		Overall Length		Seal to Gripper		Gripper Length		Functional Depth		Full Installation Depth		Maximum Test Pressure		Shaft Hex Wrench Size	Hex Nut Wrench Size	Approximate Shipping Weight	
				(in)		(mm)																								
				Min.	Max.	Min.	Max.	(in)	(mm)	(in)	(mm)	(in)	(mm)	(in)	(mm)	(in)	(mm)	(in)	(mm)	(in)	(mm)	(in)	(mm)	(in)	(mm)	(in)	(mm)	(in)	(mm)	(in)
GTMAX-25P5	2 1/2	5	3	2.68	- 2.78	68.1	- 70.6	2.58	65.5	0.10	2.5	1/2	9/16	14.3	9	227	2.00	50.8	1.17	29.7	3.00	76.2	3.88	98.4	12000	827	1	1 - 7/8	7	3 1/4
GTMAX-25P10	2 1/2	10	3	2.60	- 2.74	66.0	- 69.6	2.50	63.5	0.10	2.5	1/2	9/16	14.3	9	227	1.98	50.4	1.35	34.3	3.18	80.8	4.06	103.0	12000	827	1	1 - 7/8	6	3
GTMAX-253T			3	2.53	- 2.63	64.3	- 66.8	2.43	61.7	0.10	2.5	1/2	9/16	14.3	9	227	2.00	50.8	1.17	29.7	3.06	77.8	3.94	100.0	12000	827	1	1 - 7/8	6	2 3/4
GTMAX-25P40	2 1/2	40 / STD	3	2.44	- 2.54	62.0	- 64.5	2.34	59.4	0.10	2.5	1/2	9/16	14.3	9	227	2.00	50.8	1.17	29.7	3.06	77.8	3.94	100.0	12000	827	1	1 - 7/8	6	2 3/4
GTMAX-25P80	2 1/2	80 / XS	2	2.27	- 2.45	57.7	- 62.2	2.17	55.1	0.10	2.5	3/8	7/16	11.1	7	178	2.10	53.2	1.02	25.9	2.81	71.4	3.44	87.3	12000	827	11/16	1 - 5/16	3 - 1/2	1 1/2
GTMAX-25P160	2 1/2	160	2	2.10	- 2.22	53.3	- 56.4	2.00	50.8	0.10	2.5	3/8	7/16	11.1	7	178	2.14	54.4	1.02	25.9	2.87	72.8	3.49	88.6	12000	827	11/16	1 - 5/16	3 - 1/2	1 1/2
GTMAX-25PXXS	2 1/2	XXS	2	1.74	- 1.91	44.2	- 48.5	1.68	42.7	0.06	1.5	3/8	7/16	11.1	7	178	2.21	56.2	1.00	25.4	2.85	72.3	3.47	88.1	12000	827	11/16	1 - 5/16	2 - 1/2	1 1/4
GTMAX-3P5	3	5	3	3.30	- 3.41	83.8	- 86.6	3.20	81.3	0.10	2.5	1/2	9/16	14.3	9	227	1.92	48.8	1.57	39.9	3.40	86.4	4.28	108.6	12000	827	1	1 - 7/8	8 - 1/2	3 3/4
GTMAX-3P10	3	10	3	3.23	- 3.34	82.0	- 84.8	3.13	79.5	0.10	2.5	1/2	9/16	14.3	9	227	2.51	63.6	1.57	39.9	3.56	90.4	4.44	112.6	12000	827	1	1 - 7/8	8 - 1/4	3 3/4
GTMAX-3P40	3	40 / STD	3	3.04	- 3.14	77.2	- 79.8	2.94	74.7	0.10	2.5	1/2	9/16	14.3	9	227	2.33	59.1	1.36	34.5	3.19	81.0	4.06	103.2	12000	827	1	1 - 7/8	8	3 1/2
GTMAX-296T			3	2.96	- 3.07	75.2	- 78.0	2.86	72.6	0.10	2.5	1/2	9/16	14.3	9	227	2.33	59.1	1.36	34.5	3.19	81.0	4.06	103.2	12000	827	1	1 - 7/8	7 - 1/2	3 1/2
GTMAX-3P80	3	80 / XS	3	2.87	- 2.98	72.9	- 75.7	2.77	70.4	0.10	2.5	1/2	9/16	14.3	9	227	2.66	67.4	1.36	34.5	3.37	85.7	4.25	107.9	12000	827	1	1 - 7/8	7 - 1/2	3 1/2
GTMAX-3P160	3	160	3	2.60	- 2.74	66.0	- 69.6	2.50	63.5	0.10	2.5	1/2	9/16	14.3	9	227	2.32	58.9	1.35	34.3	3.18	80.7	4.05	102.9	12000	827	1	1 - 7/8	6 - 3/4	3
GTMAX-3PXXS	3	XXS	2	2.27	- 2.45	57.7	- 62.2	2.17	55.1	0.10	2.5	3/8	7/16	11.1	7	178	2.21	56.2	1.02	25.9	2.87	72.8	3.49	88.6	12000	827	11/16	1 - 5/16	4	1 3/4
GTMAX-35P5	3 1/2	5	3	3.80	- 3.91	96.5	- 99.3	3.70	94.0	0.10	2.5	1/2	9/16	14.3	9	227	2.59	65.8	1.74	44.2	3.63	92.1	4.50	114.3	10000	689	1	1 - 7/8	11 - 1/4	5
GTMAX-35P10	3 1/2	10	3	3.73	- 3.84	94.7	- 97.5	3.63	92.2	0.10	2.5	1/2	9/16	14.3	9	227	2.41	61.3	1.62	41.1	3.43	87.2	4.31	109.4	10000	689	1	1 - 7/8	10 - 1/2	5
GTMAX-35P40	3 1/2	40 / STD	3	3.52	- 3.63	89.4	- 92.2	3.42	86.9	0.10	2.5	1/2	9/16	14.3	9	227	2.38	60.4	1.62	41.1	3.45	87.6	4.32	109.8	10000	689	1	1 - 7/8	9 - 1/2	4 1/4
GTMAX-35P80	3 1/2	80 / XS	3	3.33	- 3.44	84.6	- 87.4	3.23	82.0	0.10	2.5	1/2	9/16	14.3	9	227	2.38	60.4	1.66	42.2	3.49	88.6	4.36	110.8	10000	689	1	1 - 7/8	8 - 3/4	4
GTMAX-35PXXS	3 1/2	XXS	3	2.70	- 2.89	68.6	- 73.4	2.60	66.0	0.10	2.5	1/2	9/16	14.3	9	227	2.39	60.8	1.46	37.1	3.27	83.1	4.21	106.9	10000	689	1	1 - 7/8	7 - 1/2	3 1/2

Questions? Contact EST Group Customer Service at any of the following locations.



EST Group

www.cw-estgroup.com

North, Central & South America

EST Group Corporate Office
2701 Township Line Road
Hatfield, PA 19440-1770 USA
P: +1.215.721.1100
+1.800.355.7044
F: +1.215.721.1101
est-info@curtisswright.com

Europe / Middle East / Africa

EST Group B.V.
Hoorn 312a
2404 HL Alphen aan den Rijn
The Netherlands
P: +31.172.418841
F: +31.172.418849
est-emea@curtisswright.com

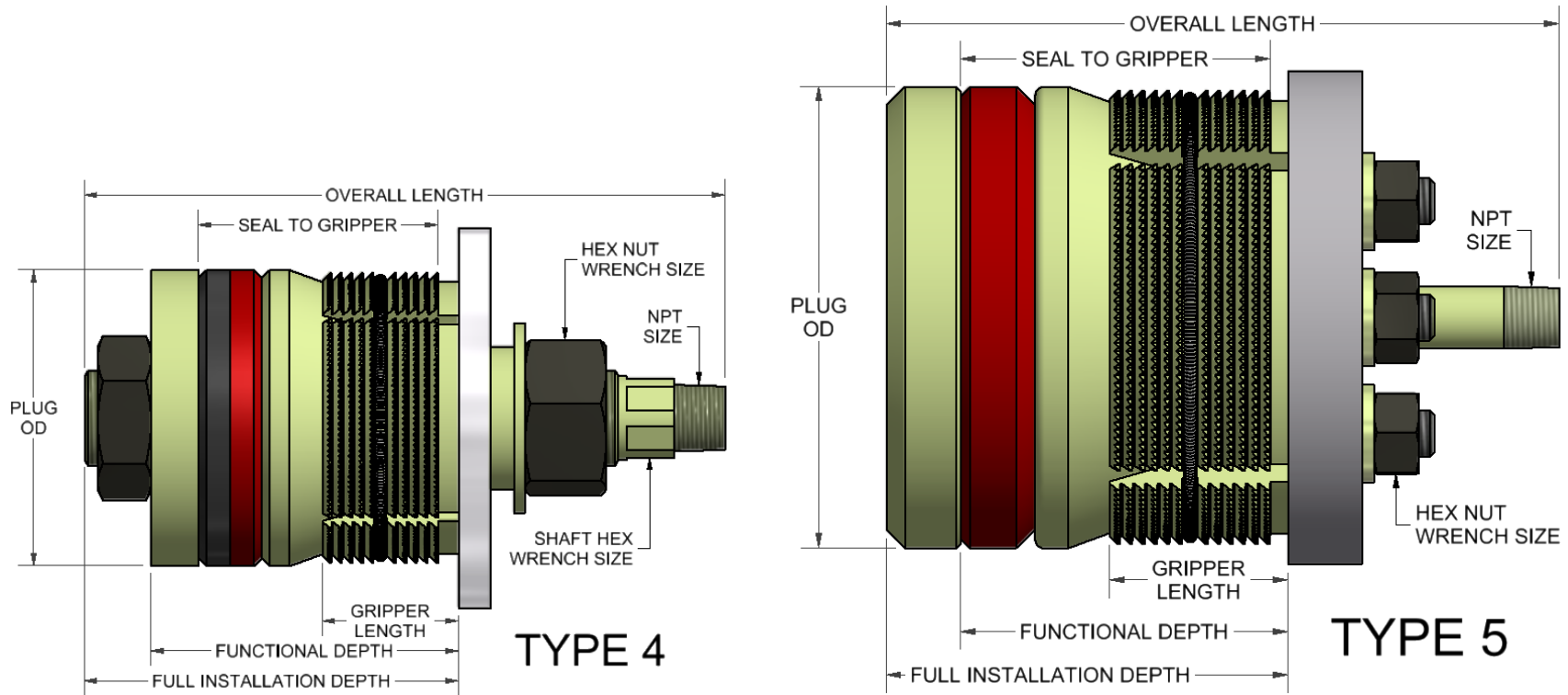
China

P +86.400.636.5077
est-china@curtisswright.cn

Singapore

P +65.3158.5052
est-asia@curtisswright.com

GripTight MAX[®] Test Plug Technical Specifications



Questions? Contact EST Group Customer Service at any of the following locations.



EST Group

www.cw-estgroup.com

North, Central & South America

EST Group Corporate Office
2701 Township Line Road
Hatfield, PA 19440-1770 USA
P: +1.215.721.1100
+1.800.355.7044
F: +1.215.721.1101
est-info@curtisswright.com

Europe / Middle East / Africa

EST Group B.V.
Hoor 312a
2404 HL Alphen aan den Rijn
The Netherlands
P: +31.172.418841
F: +31.172.418849
est-emea@curtisswright.com

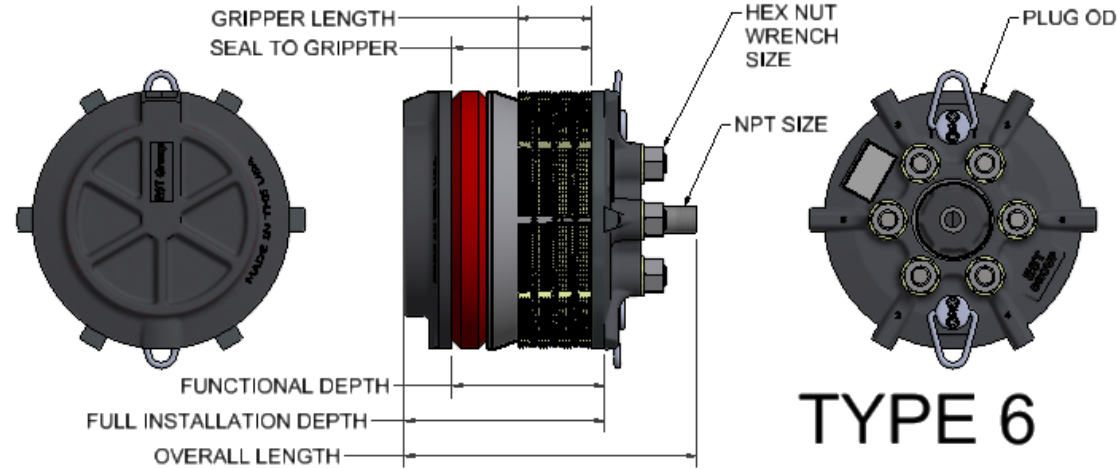
China

P +86.400.636.5077
est-china@curtisswright.cn

Singapore

P +65.3158.5052
est-asia@curtisswright.com

GripTight MAX[®] Test Plug Technical Specifications



Part Number	Nominal Pipe Size	Pipe Schedule	Type	Functional I.D. Range				Plug OD		Total clearance from Min. I.D.		NPT Size	Shaft / Port I.D.		Overall Length		Seal to Gripper		Gripper Length		Functional Depth		Full Installation Depth		Maximum Test Pressure		Number of Shafts	Hex Nut Wrench Size (in)	Approximate Shipping Weight			
				(in)		(mm)		(in)	(mm)	(in)	(mm)		(in)	(mm)	(in)	(mm)	(in)	(mm)	(in)	(mm)	(in)	(mm)	(in)	(mm)	(in)	(mm)			(in)	(mm)	(lbs)	(kg)
				Min.	Max.	Min.	Max.																									
GTMAX-10P5	10	5	6	10.42	- 10.88	264.7	- 276.4	10.32	262.1	0.10	2.5	1	0.82	21	13 1/8	332	5.84	148	2.88	73	6.84	174	9.18	233	3000	207	4	1 - 5/8	128	58		
GTMAX-10P10	10	10S	6	10.34	- 10.80	262.6	- 274.3	10.24	260.1	0.10	2.5	1	0.82	21	13 1/8	332	5.84	148	2.88	73	6.84	174	9.18	233	3000	207	4	1 - 5/8	127	58		
GTMAX-10P20	10	20	6	10.17	- 10.63	258.3	- 270.0	10.07	255.8	0.10	2.5	1	0.82	21	13 1/8	332	5.84	148	2.88	73	6.84	174	9.18	233	3000	207	4	1 - 5/8	123	56		
GTMAX-10P30	10	30	6	10.06	- 10.52	255.5	- 267.2	9.96	253.0	0.10	2.5	1	0.82	21	13 1/8	332	5.84	148	2.88	73	6.84	174	9.18	233	3000	207	4	1 - 5/8	120	55		
GTMAX-10P40	10	40/STD	6	9.94	- 10.40	252.5	- 264.2	9.84	249.9	0.10	2.5	1	0.82	21	13 1/8	332	5.84	148	2.88	73	6.84	174	9.18	233	3000	207	4	1 - 5/8	118	53		
GTMAX-10P60	10	XS/60	6	9.67	- 10.13	245.6	- 257.3	9.57	243.1	0.10	2.5	1	0.82	21	13 1/8	332	5.84	148	2.88	73	6.84	174	9.18	233	5000	345	4	1 - 5/8	112	51		
GTMAX-10P80	10	80	6	9.48	- 9.94	240.8	- 252.5	9.38	238.3	0.10	2.5	1	0.82	21	13 1/8	332	5.84	148	2.88	73	6.84	174	9.18	233	5000	345	4	1 - 5/8	108	49		
GTMAX-10P100	10	100	6	9.23	- 9.69	234.4	- 246.1	9.13	231.9	0.10	2.5	1	0.82	21	13 1/8	332	5.84	148	2.88	73	6.84	174	9.18	233	5000	345	4	1 - 5/8	103	47		
GTMAX-10P120	10	120	5	9.01	- 9.47	228.9	- 240.5	8.91	226.3	0.10	2.5	3/4	0.61	16	9 - 7/8	251	4.72	120	3.00	76	5.23	133	6.23	158	6000	414	4	1 - 7/16	121	55		
GTMAX-10P140	10	140	5	8.70	- 9.16	221.0	- 232.7	8.60	218.4	0.10	2.5	3/4	0.61	16	9 - 7/8	251	4.72	120	3.00	76	5.23	133	6.23	158	6000	414	4	1 - 7/16	113	51		
GTMAX-10P160	10	160	5	8.45	- 8.91	214.6	- 226.3	8.35	212.1	0.10	2.5	3/4	0.61	16	9 - 7/8	251	4.72	120	3.00	76	5.23	133	6.23	158	6000	414	4	1 - 7/16	106	48		
GTMAX-12P10	12	10S/5	6	12.30	- 12.76	312.4	- 324.1	12.20	309.9	0.10	2.5	1	0.82	21	13 1/8	332	6.33	161	3.37	86	7.33	186	9.74	247	3000	207	6	1 - 5/8	179	82		
GTMAX-12P20	12	20	6	12.17	- 12.63	309.1	- 320.8	12.07	306.6	0.10	2.5	1	0.82	21	13 1/8	332	6.33	161	3.37	86	7.33	186	9.74	247	3000	207	6	1 - 5/8	175	80		
GTMAX-12P30	12	30	6	12.01	- 12.27	305.1	- 311.7	11.91	302.5	0.10	2.5	1	0.82	21	13 1/8	332	6.33	161	3.37	86	7.33	186	9.74	247	3000	207	6	1 - 5/8	171	78		
GTMAX-12P40	12	40/STD	6	11.92	- 12.38	302.8	- 314.5	11.82	300.2	0.10	2.5	1	0.82	21	13 1/8	332	6.33	161	3.37	86	7.33	186	9.74	247	3000	207	6	1 - 5/8	168	76		
GTMAX-12PXS	12	XS	6	11.67	- 12.13	296.4	- 308.1	11.57	293.9	0.10	2.5	1	0.82	21	13 1/8	332	6.33	161	3.37	86	7.33	186	9.67	246	5000	345	4	1 - 5/8	161	73		
GTMAX-12P60	12	60	6	11.55	- 12.01	293.4	- 305.1	11.45	290.8	0.10	2.5	1	0.82	21	13 1/8	332	6.33	161	3.37	86	7.33	186	9.67	246	5000	345	4	1 - 5/8	157	72		
GTMAX-12P80	12	80	6	11.29	- 11.75	286.8	- 298.5	11.19	284.2	0.10	2.5	1	0.82	21	13 1/8	332	6.33	161	3.37	86	7.33	186	9.67	246	5000	345	4	1 - 5/8	150	68		
GTMAX-12P100	12	100	6	10.98	- 11.44	278.9	- 290.6	10.88	276.4	0.10	2.5	1	0.82	21	13 1/8	332	5.84	148	2.88	73	6.84	174	9.18	233	5000	345	4	1 - 5/8	142	65		
GTMAX-12P120	12	120/XXS	6	10.67	- 11.13	271.0	- 282.7	10.57	268.5	0.10	2.5	1	0.82	21	13 1/8	332	5.84	148	2.88	73	6.84	174	9.18	233	5000	345	4	1 - 5/8	134	61		
GTMAX-12P140	12	140	6	10.42	- 10.88	264.7	- 276.4	10.32	262.1	0.10	2.5	1	0.82	21	13 1/8	332	5.84	148	2.88	73	6.84	174	9.18	233	6000	414	4	1 - 5/8	128	58		
GTMAX-12P160	12	160	6	10.06	- 10.52	255.5	- 267.2	9.96	253.0	0.10	2.5	1	0.82	21	13 1/8	332	5.84	148	2.88	73	6.84	174	9.18	233	6000	414	4	1 - 5/8	120	55		

C

Questions? Contact EST Group Customer Service at any of the following locations.



EST Group
www.cw-estgroup.com

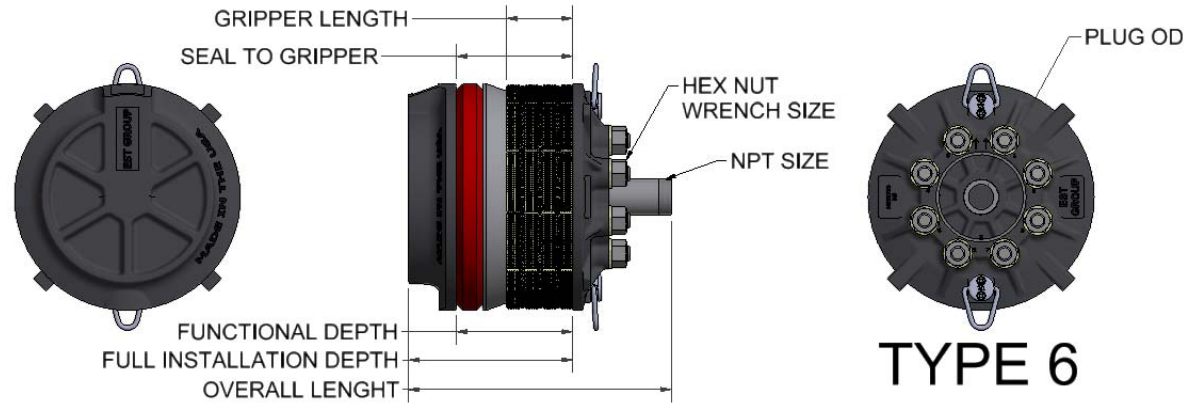
North, Central & South America
EST Group Corporate Office
2701 Township Line Road
Hatfield, PA 19440-1770 USA
P: +1.215.721.1100
+1.800.355.7044
F: +1.215.721.1101
est-info@curtisswright.com

Europe / Middle East / Africa
EST Group B.V.
Hoorn 312a
2404 HL Alphen aan den Rijn
The Netherlands
P: +31.172.418841
F: +31.172.418849
est-emea@curtisswright.com

China
P +86.400.636.5077
est-china@curtisswright.cn

Singapore
P +65.3158.5052
est-asia@curtisswright.com

GripTight MAX[®] Test Plug Technical Specifications



Part Number	Nominal Pipe Size	Pipe Schedule	Type	Functional I.D. Range				Plug OD		Total clearance from Min. I.D.		NPT Size	Shaft / Port I.D.		Overall Length		Seal to Gripper		Gripper Length		Functional Depth		Full Installation Depth		Maximum Test Pressure		Number of Shafts	Hex Nut Wrench Size	Approximate Shipping Weight			
				(in)		(mm)		(in)	(mm)	(in)	(mm)		(in)	(mm)	(in)	(mm)	(in)	(mm)	(in)	(mm)	(in)	(mm)	(in)	(mm)	(in)	(mm)			(in)	(mm)	(in)	(mm)
				Min.	Max.	Min.	Max.																									
GTMAX-14P5	14	5	6	13.60	-	14.06	345.4	-	357.1	13.50	342.9	0.10	2.5	1	0.82	21	13 1/8	332	6.86	174	3.73	95	7.86	200	10.26	261	3000	207	6	1-5/8	223	101
GTMAX-14P10S	14	10S	6	13.54	-	14.00	343.9	-	355.6	13.44	341.4	0.10	2.5	1	0.82	21	13 1/8	332	6.86	174	3.73	95	7.86	200	10.26	261	3000	207	6	1-5/8	221	100
GTMAX-14P10	14	10	6	13.41	-	13.87	340.6	-	352.3	13.31	338.1	0.10	2.5	1	0.82	21	13 1/8	332	6.86	174	3.73	95	7.86	200	10.26	261	3000	207	6	1-5/8	216	98
GTMAX-14P20	14	20	6	13.30	-	13.76	337.8	-	349.5	13.20	335.3	0.10	2.5	1	0.82	21	13 1/8	332	6.86	174	3.73	95	7.86	200	10.26	261	3000	207	6	1-5/8	212	96
GTMAX-14P30	14	STD/30	6	13.17	-	13.63	334.5	-	346.2	13.07	332.0	0.10	2.5	1	0.82	21	13 1/8	332	6.86	174	3.73	95	7.86	200	10.26	261	3000	207	6	1-5/8	208	94
GTMAX-14P40	14	40	6	13.04	-	13.50	331.2	-	342.9	12.94	328.7	0.10	2.5	1	0.82	21	13 1/8	332	6.86	174	3.73	95	7.86	200	10.26	261	5000	345	6	1-5/8	203	92
GTMAX-14PXS	14	XS	6	12.92	-	13.38	328.2	-	339.9	12.82	325.6	0.10	2.5	1	0.82	21	13 1/8	332	6.86	174	3.73	95	7.86	200	10.26	261	5000	345	6	1-5/8	199	91
GTMAX-14P60	14	60	6	12.73	-	13.19	323.3	-	335.0	12.63	320.8	0.10	2.5	1	0.82	21	13 1/8	332	6.86	174	3.73	95	7.86	200	10.26	261	5000	345	6	1-5/8	193	88
GTMAX-14P80	14	80	6	12.42	-	12.88	315.5	-	327.2	12.32	312.9	0.10	2.5	1	0.82	21	13 1/8	332	6.86	174	3.73	95	7.86	200	10.26	261	5000	345	6	1-5/8	183	83
GTMAX-14P100	14	100	6	12.04	-	12.50	305.8	-	317.5	11.94	303.3	0.10	2.5	1	0.82	21	13 1/8	332	6.33	161	3.37	86	7.33	186	9.74	247	5000	345	6	1-5/8	172	78
GTMAX-14P120	14	120	6	11.73	-	12.19	297.9	-	309.6	11.63	295.4	0.10	2.5	1	0.82	21	13 1/8	332	6.33	161	3.37	86	7.33	186	9.67	246	5000	345	4	1-5/8	163	74
GTMAX-14P140	14	140	6	11.42	-	11.91	290.1	-	302.5	11.32	287.5	0.10	2.5	1	0.82	21	13 1/8	332	6.33	161	3.37	86	7.33	186	9.67	246	5000	345	4	1-5/8	154	70
GTMAX-14P160	14	160	6	11.10	-	11.56	281.9	-	293.6	11.00	279.4	0.10	2.5	1	0.82	21	13 1/8	332	6.33	161	3.37	86	7.33	186	8.67	220	6000	414	4	1-5/8	145	66
GTMAX-16P10S	16	10S/5	6	15.54	-	16.00	394.7	-	406.4	15.44	392.2	0.10	2.5	2	1.69	42.9	17-1/2	444.5	7.73	196	4.40	111.8	8.73	222	11.91	303	3000	207	8	1-5/8	324	147
GTMAX-16P10	16	10	6	15.42	-	15.88	391.7	-	403.4	15.32	389.1	0.10	2.5	2	1.69	42.9	17-1/2	444.5	7.73	196	4.40	111.8	8.73	222	11.91	303	3000	207	8	1-5/8	315	143
GTMAX-16P20	16	20	6	15.30	-	15.76	388.6	-	400.3	15.20	386.1	0.10	2.5	2	1.69	42.9	17-1/2	444.5	7.73	196	4.40	111.8	8.73	222	11.91	303	3000	207	8	1-5/8	307	140
GTMAX-16PSTD	16	STD/30	6	15.17	-	15.69	385.3	-	398.5	15.07	382.8	0.10	2.5	2	1.69	42.9	17-1/2	444.5	7.73	196	4.40	111.8	8.73	222	11.91	303	3000	207	8	1-5/8	298	135
GTMAX-16PXS	16	40/XS	6	14.92	-	15.38	379.0	-	390.7	14.82	376.4	0.10	2.5	2	1.69	42.9	17-1/2	444.5	7.73	196	4.40	111.8	8.73	222	11.91	303	5000	345	8	1-5/8	280	127
GTMAX-16P60	16	60	6	14.61	-	15.07	371.1	-	382.8	14.51	368.6	0.10	2.5	2	1.69	43	17-1/2	445	7.73	196	4.40	112	8.73	222	11.91	303	5000	345	8	1-5/8	258	117
GTMAX-16P80	16	80	6	14.23	-	14.69	361.4	-	373.1	14.13	358.9	0.10	2.5	1	0.82	21	15 1/8	383	7.53	191	4.40	112	8.53	217	10.93	278	5000	345	6	1-5/8	246	112
GTMAX-16P100	16	100	6	13.86	-	14.32	352.0	-	363.7	13.76	349.5	0.10	2.5	1	0.82	21	15 1/8	383	7.53	191	4.40	112	8.53	217	10.93	278	5000	345	6	1-5/8	232	106
GTMAX-16P120	16	120	6	13.48	-	13.96	342.4	-	354.6	13.38	339.9	0.10	2.5	1	0.82	21	13 1/8	332	6.86	174	3.73	95	7.86	200	10.26	261	5000	345	6	1-5/8	218	99
GTMAX16P140	16	140	6	13.04	-	13.50	331.2	-	342.9	12.94	328.7	0.10	2.5	1	0.82	21	13 1/8	332	6.86	174	3.73	95	7.86	200	10.26	261	5000	345	6	1-5/8	203	92
GTMAX-16P160	16	160	6	12.73	-	13.19	323.3	-	335.0	12.63	320.8	0.10	2.5	1	0.82	21	13 1/8	332	6.86	174	3.73	95	7.86	200	10.26	261	5000	345	6	1-5/8	193	88

Questions? Contact EST Group Customer Service at any of the following locations.



EST Group

www.cw-estgroup.com

North, Central & South America

EST Group Corporate Office
2701 Township Line Road
Hatfield, PA 19440-1770 USA
P: +1.215.721.1100
+1.800.355.7044
F: +1.215.721.1101
est-info@curtisswright.com

Europe / Middle East / Africa

EST Group B.V.
Hoorn 312a
2404 HL Alphen aan den Rijn
The Netherlands
P: +31.172.418841
F: +31.172.418849
est-emea@curtisswright.com

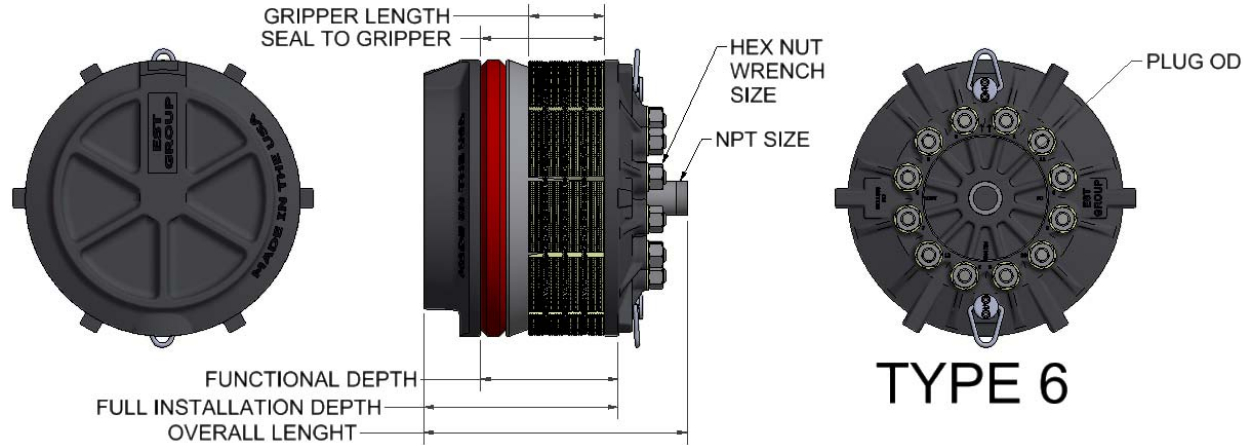
China

P +86.400.636.5077
est-china@curtisswright.cn

Singapore

P +65.3158.5052
est-asia@curtisswright.com

GripTight MAX[®] Test Plug Technical Specifications



Part Number	Nominal Pipe Size	Pipe Schedule	Type	Functional I.D. Range				Plug OD		Total clearance from Min. I.D.		NPT Size	Shaft / Port I.D.		Overall Length		Seal to Gripper		Gripper Length		Functional Depth		Full Installation Depth		Maximum Test Pressure		Number of Shafts	Hex Nut Wrench Size	Approximate Shipping Weight			
				(in)		(mm)		(in)	(mm)	(in)	(mm)		(in)	(mm)	(in)	(mm)	(in)	(mm)	(in)	(mm)	(in)	(mm)	(in)	(mm)	(in)	(mm)			(in)	(mm)	(lbs)	(kg)
				Min.	Max.	Min.	Max.																									
GTMAX-18P10S	18	10S/5	6	17.55	18.01	445.8	457.5	17.45	443.2	0.10	2.5	2	1.69	42.9	18 - 1/4	463.6	8.12	206	4.74	120.4	9.12	232	12.31	313	3000	207	10	1 - 5/8	453	206		
GTMAX-18P10	18	10	6	17.42	17.88	442.5	454.2	17.32	439.9	0.10	2.5	2	1.69	42.9	18 - 1/4	463.6	8.12	206	4.74	120.4	9.12	232	12.31	313	3000	207	10	1 - 5/8	445	202		
GTMAX-18P20	18	20	6	17.30	17.76	439.4	451.1	17.20	436.9	0.10	2.5	2	1.69	42.9	18 - 1/4	463.6	8.12	206	4.74	120.4	9.12	232	12.31	313	3000	207	10	1 - 5/8	438	199		
GTMAX-18PSTD	18	STD	6	17.17	17.63	436.1	447.8	17.07	433.6	0.10	2.5	2	1.69	42.9	18 - 1/4	463.6	8.12	206	4.74	120.4	9.12	232	12.31	313	3000	207	10	1 - 5/8	430	195		
GTMAX-18P30	18	30	6	17.04	17.50	432.8	444.5	16.94	430.3	0.10	2.5	2	1.69	42.9	18 - 1/4	463.6	8.12	206	4.74	120.4	9.12	232	12.31	313	5000	345	10	1 - 5/8	422	192		
GTMAX-18PXS	18	XS	6	16.92	17.38	429.8	441.5	16.82	427.2	0.10	2.5	2	1.69	42.9	18 - 1/4	463.6	8.12	206	4.74	120.4	9.12	232	12.31	313	5000	345	10	1 - 5/8	414	188		
GTMAX-18P40	18	40	6	16.80	17.26	426.7	438.4	16.70	424.2	0.10	2.5	2	1.69	42.9	18 - 1/4	463.6	8.12	206	4.74	120.4	9.12	232	12.31	313	5000	345	10	1 - 5/8	407	185		
GTMAX-18P60	18	60	6	16.42	16.88	417.1	428.8	16.32	414.5	0.10	2.5	2	1.69	42.9	18 - 1/4	463.6	8.12	206	4.74	120.4	9.12	232	12.31	313	5000	345	10	1 - 5/8	383	174		
GTMAX-18P80	18	80	6	16.04	16.50	407.4	419.1	15.94	404.9	0.10	2.5	2	1.69	42.9	17 - 1/2	444.5	8.12	206	4.74	120.4	9.12	232	12.31	313	5000	345	8	1 - 5/8	358	163		
GTMAX-18P100	18	100	6	15.61	16.07	396.5	408.2	15.51	394.0	0.10	2.5	2	1.69	42.9	17 - 1/2	444.5	7.73	196	4.40	111.8	8.73	222	11.91	303	5000	345	8	1 - 5/8	329	149		
GTMAX-18P120	18	120	6	15.17	15.69	385.3	398.5	15.07	382.8	0.10	2.5	2	1.69	42.9	17 - 1/2	444.5	7.73	196	4.40	111.8	8.73	222	11.91	303	5000	345	8	1 - 5/8	298	135		
GTMAX-18P140	18	140	6	14.79	15.25	375.7	387.4	14.69	373.1	0.10	2.5	2	1.69	42.9	17 - 1/2	444.5	7.73	196	4.40	111.8	8.73	222	11.91	303	5000	345	8	1 - 5/8	271	123		
GTMAX-18P160	18	160	6	14.35	14.81	364.5	376.2	14.25	362.0	0.10	2.5	2	1.69	42.9	17 - 1/2	444.5	7.73	196	4.40	111.8	8.73	222	11.91	303	5000	345	8	1 - 5/8	239	108		
GTMAX-20P10	20	10/10S/5	6	19.48	19.94	494.8	506.5	19.38	492.3	0.10	2.5	2	1.69	42.9	18 - 1/4	463.6	8.62	219	5.24	133.1	9.62	244	12.81	325	3000	207	12	1 - 5/8	560	255		
GTMAX-20PSTD	20	STD/20	6	19.17	19.72	486.9	500.9	19.07	484.4	0.10	2.5	2	1.69	42.9	18 - 1/4	463.6	8.62	219	5.24	133.1	9.62	244	12.81	325	3000	207	12	1 - 5/8	544	247		
GTMAX-20PXS	20	XS/30	6	18.92	19.38	480.6	492.3	18.82	478.0	0.10	2.5	2	1.69	42.9	18 - 1/4	463.6	8.62	219	5.24	133.1	9.62	244	12.81	325	5000	345	12	1 - 5/8	531	241		
GTMAX-20P40	20	40	6	18.73	19.19	475.7	487.4	18.63	473.2	0.10	2.5	2	1.69	42.9	18 - 1/4	463.6	8.62	219	5.24	133.1	9.62	244	12.81	325	5000	345	12	1 - 5/8	520	237		
GTMAX-20P60	20	60	6	18.30	18.76	464.8	476.5	18.20	462.3	0.10	2.5	2	1.69	42.9	18 - 1/4	463.6	8.62	219	5.24	133.1	9.62	244	12.81	325	5000	345	10	1 - 5/8	497	226		
GTMAX-20P80	20	80	6	17.86	18.32	453.6	465.3	17.76	451.1	0.10	2.5	2	1.69	42.9	18 - 1/4	463.6	8.62	219	5.24	133.1	9.62	244	12.81	325	5000	345	10	1 - 5/8	471	214		
GTMAX-20P100	20	100	6	17.36	17.88	440.9	454.2	17.26	438.4	0.10	2.5	2	1.69	42.9	18 - 1/4	463.6	8.12	206	4.74	120.4	9.12	232	12.31	313	5000	345	10	1 - 5/8	442	201		
GTMAX-20P120	20	120	6	16.92	17.38	429.8	441.5	16.82	427.2	0.10	2.5	2	1.69	42.9	18 - 1/4	463.6	8.12	206	4.74	120.4	9.12	232	12.31	313	5000	345	10	1 - 5/8	414	188		
GTMAX-20P140	20	140	6	16.42	16.88	417.1	428.8	16.32	414.5	0.10	2.5	2	1.69	42.9	18 - 1/4	463.6	8.12	206	4.74	120.4	9.12	232	12.31	313	5000	345	10	1 - 5/8	383	174		
GTMAX-20P160	20	160	6	15.98	16.43	405.9	417.3	15.87	403.1	0.11	2.8	2	1.69	42.9	17 - 1/2	444.5	8.12	206	4.74	120.4	9.12	232	12.31	313	5000	345	8	1 - 5/8	353	160		

Questions? Contact EST Group Customer Service at any of the following locations.



EST Group
www.cw-estgroup.com

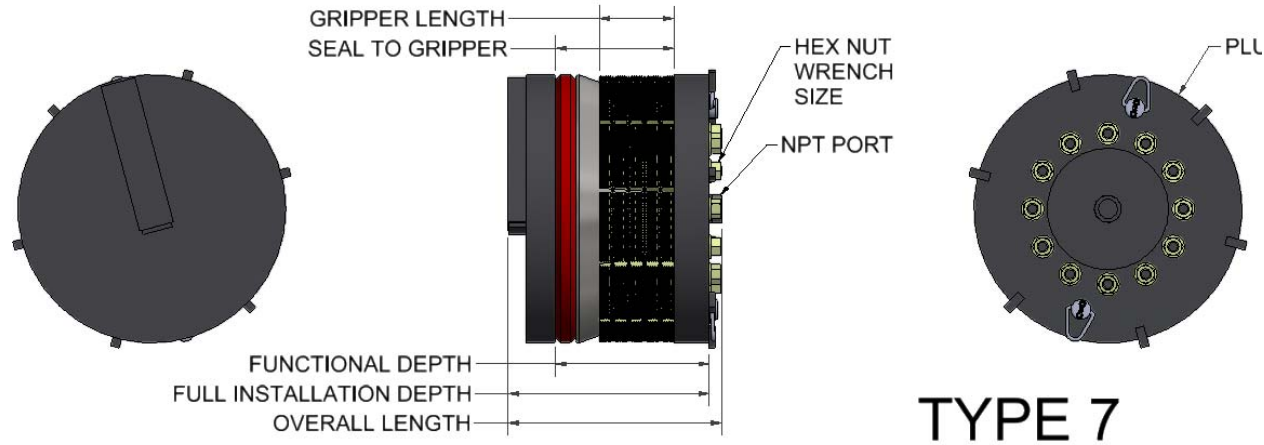
North, Central & South America
EST Group Corporate Office
2701 Township Line Road
Hatfield, PA 19440-1770 USA
P: +1.215.721.1100
+1.800.355.7044
F: +1.215.721.1101
est-info@curtisswright.com

Europe / Middle East / Africa
EST Group B.V.
Hoorn 312a
2404 HL Alphen aan den Rijn
The Netherlands
P: +31.172.418841
F: +31.172.418849
est-emea@curtisswright.com

China
P +86.400.636.5077
est-china@curtisswright.cn

Singapore
P +65.3158.5052
est-asia@curtisswright.com

GripTight MAX[®] Test Plug Technical Specifications



Part Number	Nominal Pipe Size	Pipe Schedule	Type	Functional I.D. Range				Plug OD		Total clearance from Min. I.D.		NPT Size	Shaft / Port I.D.		Overall Length		Seal to Gripper		Gripper Length		Functional Depth		Full Installation Depth		Maximum Test Pressure		Number of Shafts	Hex Nut Wrench Size (in)	Approximate Shipping Weight			
				(in)		(mm)		(in)	(mm)	(in)	(mm)		(in)	(mm)	(in)	(mm)	(in)	(mm)	(in)	(mm)	(in)	(mm)	(in)	(mm)	(in)	(mm)			(in)	(mm)	(lbs)	(kg)
				Min.	Max.	Min.	Max.	(in)	(mm)	(in)	(mm)		(in)	(mm)	(in)	(mm)	(in)	(mm)	(in)	(mm)	(in)	(mm)	(in)	(mm)	(in)	(mm)			(in)	(mm)	(in)	(mm)
GTMAX-22P10	22	10/10S/5	7	21.47	-	21.80	545.3	-	553.7	21.25	539.8	0.22	5.6	2	1.69	42.9	17 - 3/4	450.9	10.09	256.2	6.43	163	13.09	332	15.50	394	3000	207	12	1 - 5/8	850	386
GTMAX-22PSTD	22	20/STD	7	21.22	-	21.47	539.0	-	545.3	21.00	533.4	0.22	5.6	2	1.69	42.9	17 - 3/4	450.9	10.09	256.2	6.43	163	13.09	332	15.50	394	3000	207	12	1 - 5/8	850	386
GTMAX-22PXS	22	XS	7	20.97	-	21.25	532.6	-	539.8	20.75	527.1	0.22	5.6	2	1.69	42.9	18 - 3/4	476.3	10.09	256.2	6.43	163	13.09	332	16.00	406	5000	345	12	1 - 5/8	850	386
GTMAX-22P60	22	60	6	20.13	-	20.59	511.3	-	523.0	20.03	508.8	0.10	2.5	2	1.69	42.9	18 - 1/4	463.6	9.45	240.0	5.93	151	10.45	265	13.64	346	5000	345	12	1 - 5/8	592	269
GTMAX-22P80	22	80	6	19.63	-	20.16	498.6	-	512.1	19.53	496.1	0.10	2.5	2	1.69	42.9	18 - 1/4	463.6	9.45	240.0	5.93	151	10.45	265	13.64	346	5000	345	12	1 - 5/8	568	258
GTMAX-22P100	22	100	6	19.17	-	19.72	486.9	-	500.9	19.07	484.4	0.10	2.5	2	1.69	42.9	18 - 1/4	463.6	8.62	219.0	5.24	133	9.62	244	12.81	325	5000	345	12	1 - 5/8	544	247
GTMAX-22P120	22	120	6	18.68	-	19.14	474.5	-	486.2	18.58	471.9	0.10	2.5	2	1.69	42.9	18 - 1/4	463.6	8.62	219.0	5.24	133	9.62	244	12.81	325	5000	345	12	1 - 5/8	518	235
GTMAX-22P140	22	140	6	18.16	-	18.62	461.3	-	472.9	18.06	458.7	0.10	2.5	2	1.69	42.9	18 - 1/4	463.6	8.62	219.0	5.24	133	9.62	244	12.81	325	5000	345	10	1 - 5/8	489	222
GTMAX-22P160	22	160	6	17.65	-	18.11	448.3	-	460.0	17.55	445.8	0.10	2.5	2	1.69	42.9	18 - 1/4	463.6	8.62	219.0	5.24	133	9.62	244	12.81	325	5000	345	10	1 - 5/8	459	209
GTMAX-24P10	24	10/10S/5	7	23.47	-	23.74	596.1	-	603.0	23.31	592.1	0.16	4.1	2	1.69	42.9	21 - 7/8	555.8	10.09	256.2	6.43	163	13.09	332	16.63	422	3000	207	12	1 - 5/8	1100	500
GTMAX-24PSTD	24	20/STD	7	23.22	-	23.47	589.8	-	596.1	23.00	584.2	0.22	5.6	2	1.69	42.9	21 - 7/8	555.8	10.09	256.2	6.43	163	13.09	332	16.63	422	3000	207	12	1 - 5/8	1100	500
GTMAX-24PXS	24	XS	7	22.97	-	23.25	583.4	-	590.6	22.75	577.9	0.22	5.6	2	1.69	42.9	18 - 3/4	476.3	10.09	256.2	6.43	163	13.09	332	17.50	445	5000	345	12	1 - 5/8	1100	500
GTMAX-24P30	24	30	7	22.84	-	23.14	580.1	-	587.8	22.63	574.8	0.21	5.3	2	1.69	42.9	18 - 3/4	476.3	10.09	256.2	6.43	163	13.09	332	17.50	445	5000	345	12	1 - 5/8	1100	500
GTMAX-24P40	24	40	7	22.59	-	22.92	573.8	-	582.2	22.37	568.2	0.22	5.6	2	1.69	42.9	18 - 3/4	476.3	10.09	256.2	6.43	163	13.09	332	17.25	438	5000	345	12	1 - 5/8	1100	500
GTMAX-24P60	24	60	7	22.03	-	22.43	559.6	-	569.7	21.81	554.0	0.22	5.6	2	1.69	42.9	18 - 3/4	476.3	10.09	256.2	6.43	163	13.09	332	17.25	438	5000	345	12	1 - 5/8	1100	500
GTMAX-24P80	24	80	7	21.53	-	21.99	546.9	-	558.5	21.31	541.3	0.22	5.6	2	1.69	42.9	18 - 3/4	476.3	10.09	256.2	6.43	163	13.09	332	17.00	432	5000	345	12	1 - 5/8	1100	500
GTMAX-24P100	24	100	6	20.82	-	21.45	528.8	-	544.8	20.72	526.3	0.10	2.5	2	1.69	42.9	18 - 1/4	463.6	9.45	240.0	5.93	151	10.45	265	13.64	346	5000	345	12	1 - 5/8	624	284
GTMAX-24P120	24	120	6	20.26	-	20.95	514.6	-	532.1	20.16	512.1	0.10	2.5	2	1.69	42.9	18 - 1/4	463.6	9.45	240.0	5.93	151	10.45	265	13.64	346	5000	345	12	1 - 5/8	598	272
GTMAX-24P140	24	140	6	19.76	-	20.22	501.9	-	513.6	19.66	499.4	0.10	2.5	2	1.69	42.9	18 - 1/4	463.6	9.45	240.0	5.93	151	10.45	265	13.64	346	5000	345	12	1 - 5/8	574	261
GTMAX-24P160	24	160	6	19.23	-	19.69	488.4	-	500.1	19.13	485.9	0.10	2.5	2	1.69	42.9	18 - 1/4	463.6	8.62	219.0	5.24	133	9.62	244	12.81	325	5000	345	12	1 - 5/8	547	249

Questions? Contact EST Group Customer Service at any of the following locations.



EST Group

www.cw-estgroup.com

North, Central & South America

EST Group Corporate Office

2701 Township Line Road
Hatfield, PA 19440-1770 USA
P: +1.215.721.1100

+1.800.355.7044

F: +1.215.721.1101

est-info@curtisswright.com

Europe / Middle East / Africa

EST Group B.V.

Hoorn 312a
2404 HL Alphen aan den Rijn
The Netherlands
P: +31.172.418841

F: +31.172.418849

est-emea@curtisswright.com

China

P +86.400.636.5077

est-china@curtisswright.cn

Singapore

P +65.3158.5052

est-asia@curtisswright.com