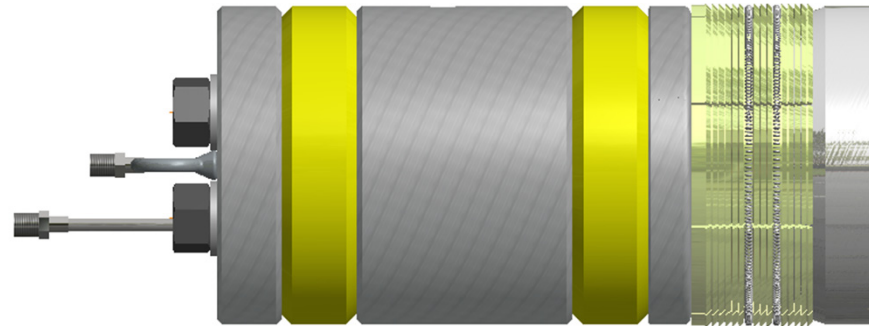


GripTight® Isolation Plug Test Plug Standard Sizes



Asia Pacific
EST Group Asia
35 Tannery Rd. #11-10 Tannery Block
Rudy Industrial Complex
Singapore 347740
(P) +65 6745 8660
(F) +65 6742 8700
est-asia@curtisswright.com

Europe / Middle East / Africa
EST Group B.V.
Hoorn 312a
2404 HL Alphen aan den Rijn
The Netherlands
(P) +31.172.418841
(F) +31.172.418849
est-emea@curtisswright.com

North America / Central & South America
Corporate Office
2701 Township Line Rd
Hatfield, PA 19440-1770 USA
(P) +1 215 721 1100
+1 800 365 7044
(F) +1 215 721 1101
est-info@curtisswright.com

**CURTISS
WRIGHT**
Flow Control Company
EST Group
<http://estgroup.cwfc.com>

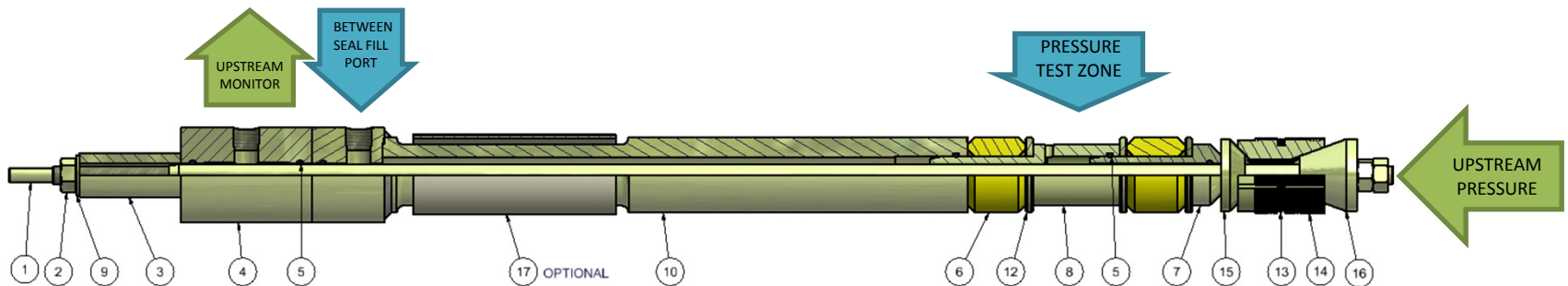
PIPE SIZE	Pipe SCH											
	5	10	20	30	40	60	80	100	120	140	160	XXS
3/4"	GTDBB-075P5	GTDBB-075P10	N/A	N/A	GTDBB-075P40	N/A	GTDBB-075P80	N/A	N/A	N/A	GTDBB-075P160	GTDBB-075PXXS
1"	GTDBB-1P5	GTDBB-1P10	N/A	N/A	GTDBB-1P40	N/A	GTDBB-1P80	N/A	N/A	N/A	GTDBB-1P160	GTDBB-1PXXS
1-1/4"	GTDBB-125P5	GTDBB-125P10	N/A	N/A	GTDBB-125P40	N/A	GTDBB-125P80	N/A	N/A	N/A	GTDBB-125P160	GTDBB-125PXXS
1-1/2"	GTDBB-15P5	GTDBB-15P10	N/A	N/A	GTDBB-15P40	N/A	GTDBB-15P80	N/A	N/A	N/A	GTDBB-15P160	GTDBB-15PXXS
2"	GTDBB-2P5	GTDBB-2P10	N/A	N/A	GTDBB-2P40	N/A	GTDBB-2P80	N/A	N/A	N/A	GTDBB-2P160	GTDBB-2PXXS
2-1/2"	GTDBB-25P5	GTDBB-25P10	N/A	N/A	GTDBB-25P40	N/A	GTDBB-25P80	N/A	N/A	N/A	GTDBB-25P160	GTDBB-25PXXS
3"	GTDBB-3P5	GTDBB-3P10	N/A	N/A	GTDBB-3P40	N/A	GTDBB-3P80	N/A	N/A	N/A	GTDBB-3P160	GTDBB-3PXXS
4"	GTDBB-4P5	GTDBB-4P10	N/A	N/A	GTDBB-4P40	N/A	GTDBB-4P80	N/A	GTDBB-4P120	N/A	GTDBB-4P160	GTDBB-4PXXS
6"	GTDBB-6P5	GTDBB-6P10	N/A	N/A	GTDBB-6P40	N/A	GTDBB-6P80	N/A	GTDBB-6P120	N/A	GTDBB-6P160	GTDBB-6PXXS
8"	GTDBB-8P5	GTDBB-8P10	GTDBB-8P20	GTDBB-8P30	GTDBB-8P40	GTDBB-8P60	GTDBB-8P80	GTDBB-8P100	GTDBB-8P120	GTDBB-8P140	GTDBB-8P160	GTDBB-8PXXS
10"	GTDBB-10P5	GTDBB-10P10	GTDBB-10P20	GTDBB-10P30	GTDBB-10P40	GTDBB-10P60	GTDBB-10P80	GTDBB-10P100	GTDBB-10P120	GTDBB-10P140	GTDBB-10P160	GTDBB-10PXXS
12"	GTDBB-12P5	GTDBB-12P10	GTDBB-12P20	GTDBB-12P30	GTDBB-12P40	GTDBB-12P60	GTDBB-12P80	GTDBB-12P100	GTDBB-12P120	GTDBB-12P140	GTDBB-12P160	GTDBB-12PXXS

GripTight® Isolation Plug Type 1

3/4" – 1-1/4" Test Plug Specifications

GTRP Specifications

Between the Seals Maximum Test Pressure	2250 PSIG	(155 BARG)
Upstream Maximum Pressure	1500 PSIG	(103 BARG)
Operational Temperature Range	-10°F thru 180°F	(-23°C thru 82°C)
Pipe Size Range	3/4" thru 1-1/4" – Various Schedules	
Standard Seal Material	Urethane	
Standard Plug Material	Zinc Plated Steel, Zinc Plated Hardened Steel Grippers	
Required Pipe ID Condition	No Sediment, Scale, Pitting, or Corrosion.	
Compatible Test Media	Water, Air, Glycol (Low Temperature Applications)	
Compliance with Industry Standard Testing	ASME B16.5, ASME B31.1, ASME B31.3, and ASME PCC-2	



ITEM	SHAFT	HEX NUT	COMP TUBE	UPSTREAM MONITOR	O-RING (SMALL)	URETHANE SEAL	BOTTOM WASHER	CAVITY BUSHING W/ PORT	HARDENED WASHER	CENTER TUBE WELDMENT	O-RING (LARGE)	SERRATED WASHER	RETAINING SPRING	GRIPPERS	BACK CONE	FRONT CONE	HEAT RESISTANT TAPE
NUMBER	1	2	3	4	5	6	7	8	9	10	11	12	13	14	15	16	17
QTY	1	3	1	1	4	2	1	1	1	1	2	3	1	VARIOUS	1	1	6"

Asia Pacific
EST Group Asia
35 Tannery Rd. #11-10 Tannery Block
Ruby Industrial Complex
Singapore 347740
(P) +65 6745 8560
(F) +65 6742 8700
est-asia@curtisswright.com

Europe / Middle East / Africa
EST Group B.V.
Hoorn 312a
2404 HL Alphen aan den Rijn
The Netherlands
(P) +31 172 418841
(F) +31 172 418849
est-emea@curtisswright.com

North America / Central & South America
Corporate Office
2701 Township Line Rd
Hatfield, PA 19440-1770 USA
(P) +1 215 721 1100
+1 800 355 7044
(F) +1 215 721 1101
est-info@curtisswright.com

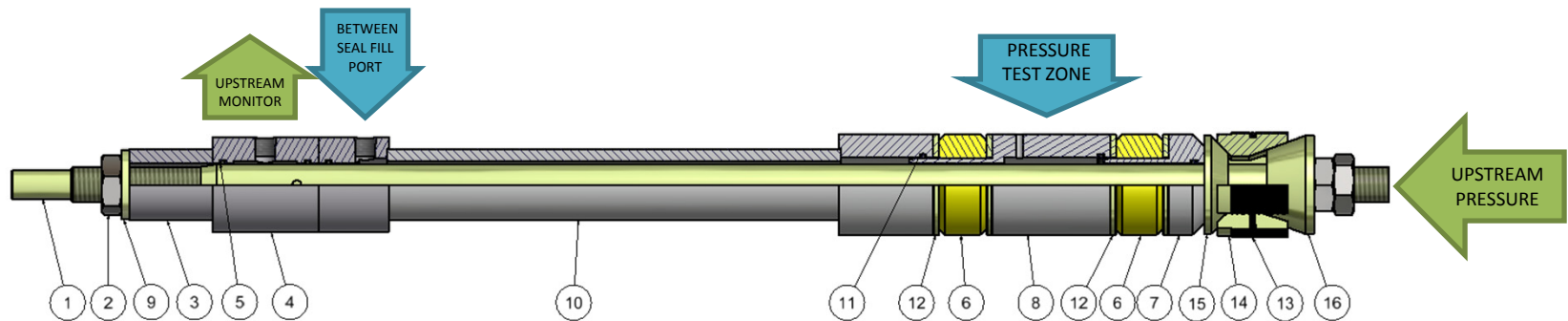
EST Group
CURTISS WRIGHT
Flow Control Company
http://estgroup.cwfc.com

GripTight® Isolation Plug Type 2

1-1/2" – 3" Test Plug Specifications

GTRP Specifications

Between the Seals Maximum Test Pressure	2250 PSIG	(155 BARG)
Upstream Maximum Pressure	1500 PSIG	(103 BARG)
Operational Temperature Range	-10°F thru 180°F	(-23°C thru 82°C)
Pipe Size Range	1-1/2" thru 3" – Various Schedules	
Standard Seal Material	Urethane	
Standard Plug Material	Aluminum, Zinc Plated Hardened Steel Grippers	
Required Pipe ID Condition	No Sediment, Scale, Pitting, or Corrosion.	
Compatible Test Media	Water, Air, Glycol (Low Temperature Applications)	
Compliance with Industry Standard Testing	ASME B16.5, ASME B31.1, ASME B31.3, and ASME PCC-2	



ITEM	SHAFT	HEX NUT	COMP TUBE	UPSTREAM MONITOR	O-RING (SMALL)	URETHANE SEAL	BOTTOM WASHER	CAVITY BUSHING W/ PORT	HARDENED WASHER	CENTER TUBE WELDMENT	O-RING (LARGE)	SERRATED WASHER	RETAINING SPRING	GRIPPERS	BACK CONE	FRONT CONE
NUMBER	1	2	3	4	5	6	7	8	9	10	11	12	13	14	15	16
QTY	1	3	1	1	4	2	1	1	1	1	2	4	1	VARIOUS	1	1

Asia Pacific
EST Group Asia
35 Tannery Rd. #11-10 Tannery Block
Rudy Industrial Complex
Singapore 347740
(P) +65 6745 8660
(F) +65 6742 8700
est-asia@curtisswright.com

Europe / Middle East / Africa
EST Group B.V.
Hoorn 312a
2404 HL Alphen aan den Rijn
The Netherlands
(P) +31 172 418841
(F) +31 172 418849
est-emea@curtisswright.com

North America / Central & South America
Corporate Office
2701 Township Line Rd
Hatfield, PA 19440-1770 USA
(P) +1 215 721 1100
+1 800 365 7044
(F) +1 215 721 1101
est-info@curtisswright.com

EST Group
CURTISS WRIGHT
Flow Control Company
<http://estgroup.cwfc.com>

GripTight® Isolation Plug

3/4" – 3" Technical Specifications

North America / Central & South America

Corporate Office
2701 Township Line Rd
Hafersfield, PA 19440-1770 USA
(P) +1 215.721.1100
+1 800.355.7044
(F) +1 215.721.1101
est-info@curtisswright.com

Europe / Middle East / Africa

EST Group B.V.
Hoon 312a
2404 H.L. Alphen aan den Rijn
The Netherlands
(P) +31.172.418841
(F) +31.172.418849
est-emea@curtisswright.com

Asia Pacific

EST Group Asia
35 Tannery Rd. #11-10 Tannery Block
Rudy Industrial Complex
Singapore 347740
(P) +65 6745 8660
(F) +65 6742 8700
est-asia@curtisswright.com



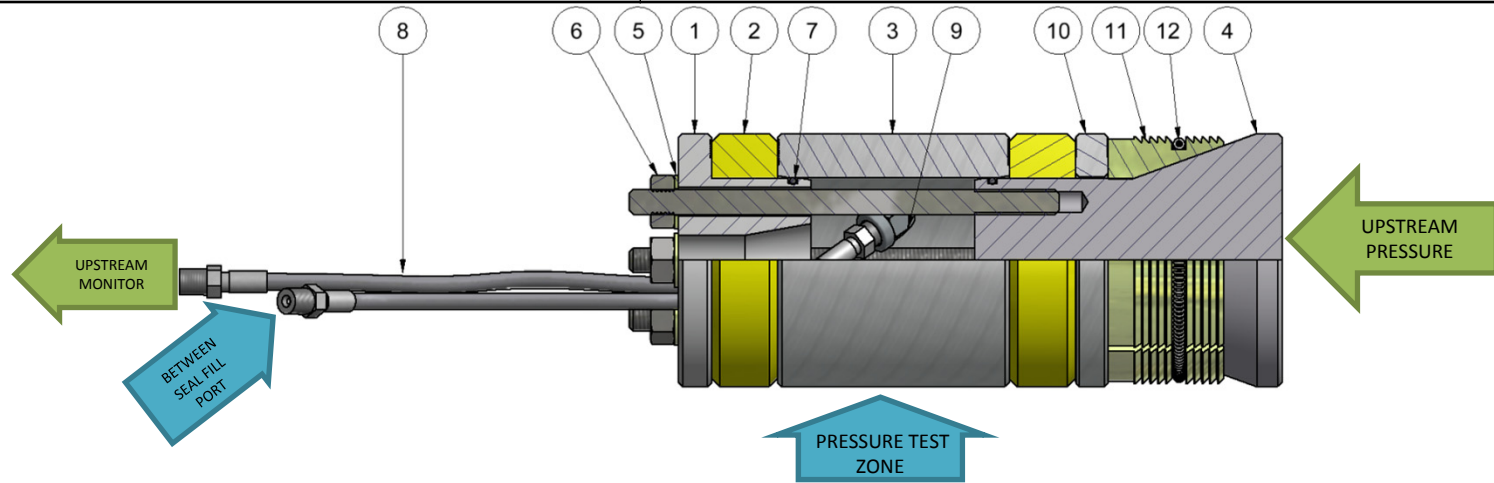
<http://estgroup.cwfc.com>

Part Number	Pipe Size	Pipe SCH	Plug OD [in (mm)]	Plug Type	Clearance Between Plug & Pipe [in (mm)]	Length [in (mm)]	Distance Between Seals [in (mm)]	Normal Installation Torque [ft-lbs. (N-m)]	Maximum Installation Torque [ft-lbs. (N-m)]	Hex Nut Size [in]
GTDBB-075P160	¾"	160	0.54 (13.7)	1	0.07 (1.8)	21 ½ (546)	1.50 (38.1)	1.5 (2.0)	3.0 (4.1)	7/16
GTDBB-075P80	¾"	80	0.65 (16.5)	1	0.09 (2.3)	23½ (597)	1.75 (44.5)	2.5 (3.4)	5.0 (6.8)	7/16
GTDBB-075P40	¾"	40	0.72 (18.3)	1	0.10 (2.5)	23 ½ (597)	1.75 (44.5)	3.5 (4.7)	6.5 (8.8)	7/16
GTDBB-075P10	¾"	10	0.78 (19.8)	1	0.10 (2.5)	23 ½ (597)	1.75 (44.5)	4.0 (5.4)	7.0 (9.5)	7/16
GTDBB-1PXXS	1"	XXS	0.54 (13.7)	1	0.06 (1.5)	21½ (546)	1.50 (38.1)	1.5 (2.0)	3.0 (4.1)	7/16
GTDBB-1P160	1"	160	0.72 (18.3)	1	0.10 (2.5)	23 ½ (597)	1.75 (44.5)	3.5 (4.7)	6.5 (8.8)	7/16
GTDBB-1P80	1"	80	0.84 (21.3)	1	0.12 (3.0)	23 ½ (597)	1.75 (44.5)	4.0 (5.4)	7.0 (9.5)	7/16
GTDBB-1P40	1"	40	0.93 (23.6)	1	0.12 (3.0)	23 ½ (597)	1.75 (44.5)	5.0 (6.8)	7.0 (9.5)	7/16
GTDBB-1P10	1"	10	0.98 (24.9)	1	0.12 (3.0)	23 ½ (597)	1.75 (44.5)	5.0 (6.8)	7.5 (10.2)	7/16
GTDBB-125P160	1 ¼"	160	1.04 (26.4)	1	0.12 (3.0)	24 ¾ (629)	1.75 (44.5)	8.0 (10.8)	12 (16.3)	½
GTDBB-125P80	1 ¼"	80	1.13 (28.7)	1	0.15 (3.8)	24 ¾ (629)	1.75 (44.5)	10 (13.6)	13 (17.6)	½
GTDBB-125P40	1 ¼"	40	1.23 (31.2)	1	0.15 (3.8)	24-¾ (629)	1.75 (44.5)	11 (14.9)	14 (19.0)	½
GTDBB-125P10	1 ¼"	10	1.29 (32.8)	1	0.15 (3.8)	24-¾ (629)	1.75 (44.5)	12 (16.3)	14 (19.0)	½
GTDBB-125PXXS	1 ¼"	XXS	0.80 (20.3)	1	0.10 (3.8)	24-¾ (629)	1.75 (44.5)	5.0 (6.8)	7.5 (10.2)	7/16
GTDBB-15P160	1 ½"	160	1.19 (30.2)	2	0.15 (3.8)	27 (686)	2.75 (69.9)	15 (20)	20 (27)	¾
GTDBB-15P80	1 ½"	80	1.35 (34.3)	2	0.15 (3.8)	27 (686)	2.75 (69.9)	15 (20)	20 (27)	¾
GTDBB-15P40	1 ½"	40	1.46 (37.1)	2	0.15 (3.8)	27 (686)	2.75 (69.9)	15 (20)	20 (27)	¾
GTDBB-15P10	1 ½"	10	1.53 (38.9)	2	0.15 (3.8)	27 (686)	2.75 (69.9)	20 (27)	30 (41)	¾
GTDBB-2PXXS	2"	XXS	1.35 (34.3)	2	0.15 (3.8)	27 (686)	2.75 (69.9)	15 (20)	20 (27)	¾
GTDBB-2P160	2"	160	1.53 (38.9)	2	0.16 (4.1)	27 (686)	2.75 (69.9)	20 (27)	30 (41)	¾
GTDBB-2P80	2"	80	1.76 (44.7)	2	0.18 (4.6)	28 ½ (724)	2.75 (69.9)	30 (41)	50 (68)	7/8
GTDBB-2P40	2"	40	1.89 (48.0)	2	0.18 (4.6)	28 ½ (724)	2.75 (69.9)	30 (41)	50 (68)	7/8
GTDBB-2P10	2"	10	1.98 (50.3)	2	0.18 (4.6)	28 ½ (724)	2.75 (69.9)	35 (47)	60 (81)	7/8
GTDBB-25PXXS	2 ½"	XXS	1.61 (40.9)	2	0.16 (4.1)	27 (686)	2.75 (69.9)	20 (27)	30 (41)	¾
GTDBB-25P160	2 ½"	160	1.95 (49.5)	2	0.18 (4.6)	28 ½ (724)	2.75 (69.9)	35 (47)	60 (81)	7/8
GTDBB-25P80	2 ½"	80	2.13 (54.1)	2	0.19 (4.8)	29 (737)	2.75 (69.9)	60 (81)	90 (122)	1 ¼
GTDBB-25P40	2 ½"	40	2.29 (58.2)	2	0.18 (4.6)	29 (737)	2.75 (69.9)	60 (81)	90 (122)	1 ¼
GTDBB-25P10	2 ½"	10	2.46 (62.5)	2	0.18 (4.6)	33 5/8 (854)	2.75 (69.9)	100 (136)	150 (203)	1 13/16
GTDBB-3PXXS	3"	XXS	2.13 (54.1)	2	0.17 (4.3)	29 (737)	2.75 (69.9)	60 (81)	90 (122)	1 ¼
GTDBB-3P160	3"	160	2.46 (62.5)	2	0.17 (4.3)	33 5/8 (854)	2.75 (69.9)	100 (136)	150 (203)	1 13/16
GTDBB-3P80	3"	80	2.69 (68.3)	2	0.21 (5.3)	33 5/8 (854)	2.75 (69.9)	150 (203)	200 (271)	1 13/16
GTDBB-3P40	3"	40	2.86 (72.6)	2	0.21 (5.3)	33 5/8 (854)	2.75 (69.9)	150 (203)	200 (271)	1 13/16
GTDBB-3P10	3"	10	3.04 (77.2)	2	0.22 (5.6)	33 5/8 (854)	2.75 (69.9)	175 (237)	250 (339)	1 13/16

GripTight® Isolation Plug - Multishaft 4" – 6" Test Plug Specifications

GTRP Specifications

Between the Seals Maximum Test Pressure	2250 PSIG	(155 BARG)
Upstream Maximum Pressure	1500 PSIG	(103 BARG)
Operational Temperature Range	-10°F thru 180°F	(-23°C thru 82°C)
Pipe Size Range	4" thru 6" – Various Schedules	
Standard Seal Material	Urethane	
Standard Plug Material	Aluminum Body, Zinc Plated Steel Grippers	
Required Pipe ID Condition	No Sediment, Scale, Pitting, or Corrosion.	
Compatible Test Media	Water, Air, Glycol (Low Temperature Applications)	
Compliance with Industry Standard Testing	ASME B16.5, ASME B31.1, ASME B31.3, and ASME PCC-2	



	NEAR SUPPORT	SEAL	SPACER	FAR END ASSY	HRDND WASHER	HEXNUT	O-RING	HOSE	ELBOW	COMP WASHER	GRIPPER	SPRING
ITEM#	1	2	3	4	5	6	7	8	9	10	11	12
QTY	1	2	1	1	4	4	2	2	1	1	4	1

Asia Pacific
EST Group Asia
35 Tannery Rd. #11-10 Tannery Block
Ruby Industrial Complex
Singapore 347740
(P) +65 6745 8560
(F) +65 6742 8700
est-asia@curtisswright.com

Europe / Middle East / Africa
EST Group B.V.
Hoorn 312a
2404 HL Alphen aan den Rijn
The Netherlands
(P) +31 172 418841
(F) +31 172 418849
est-emea@curtisswright.com

North America / Central & South America
Corporate Office
2701 Township Line Rd
Hatfield, PA 19440-1770 USA
(P) +1 215 721 1100
+1 800 355 7044
(F) +1 215 721 1101
est-info@curtisswright.com

CURTISS WRIGHT
Flow Control Company
EST Group
http://estgroup.cwfc.com

GripTight® Isolation Plug - Multishaft

4" – 6" Technical Specifications

North America / Central & South America

Corporate Office
2701 Township Line Rd
Hatfield, PA 19440-1770 USA
(P) +1 215.721.1100
+1 800.355.7044
(F) +1 215.721.1101
est-info@curtisswright.com

Europe / Middle East / Africa

EST Group B.V.
Hoorn 312a
2404 HL Alphen aan den Rijn
The Netherlands
(P) +31.172.418841
(F) +31.172.418849
est-emea@curtisswright.com

Asia Pacific

EST Group Asia
35 Tannery Rd. #11-10 Tannery Block
Ruby Industrial Complex
Singapore 347740
(P) +65.6745.8560
(F) +65.6742.8700
est-asia@curtisswright.com

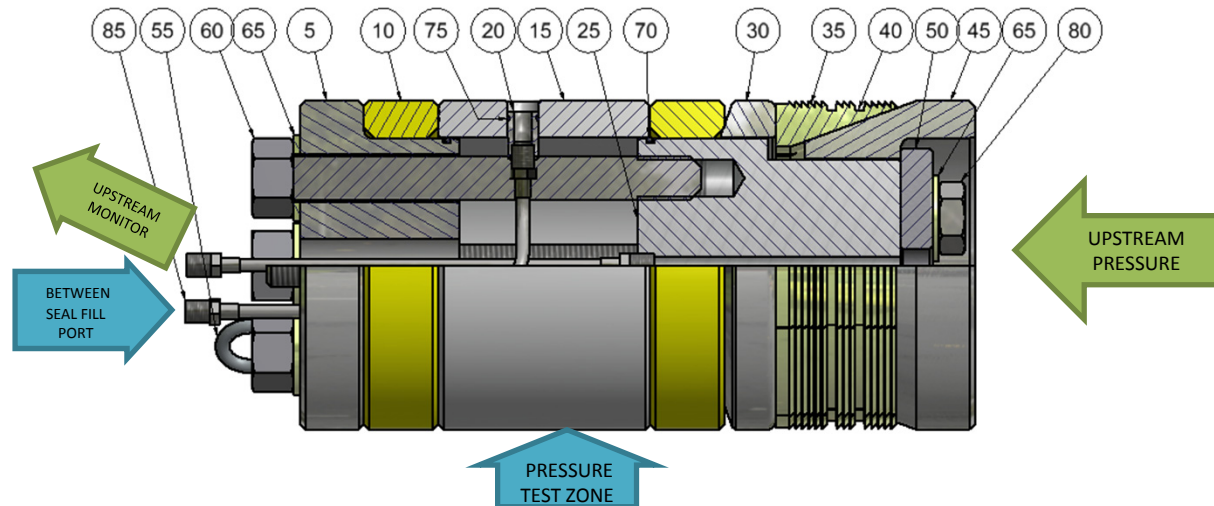


<http://estgroup.cwfc.com>

Sales Part Number	Pipe Size	Pipe SCH	Plug OD [in (mm)]	Clearance Between Plug & Pipe [in (mm)]	Length [in (mm)]	Distance Between Seals [in (mm)]	Approx. Weight [lbs. (kg)]	Normal Installation Torque [ft-lbs. (N-m)]	Maximum Installation Torque [ft-lbs. (N-m)]	Hex Nut Size [in]
GTDBB-4PXXS	4"	XXS	3.00 (76.2)	0.15 (3.8)	10 (254)	3-1/2 (89)	6 (2.9)	10 (14)	15 (20)	11/16
GTDBB-4P160	4"	160	3.29 (83.6)	0.15 (3.8)	10 (254)	3-1/2 (89)	10 (4.6)	15 (20)	25 (34)	11/16
GTDBB-4P120	4"	120	3.48 (88.4)	0.15 (3.8)	10 (254)	3-1/2 (89)	12 (5.7)	20 (27)	30 (41)	11/16
GTDBB-4P80	4"	80	3.63 (92.2)	0.20 (5.1)	10 (254)	3-1/2 (89)	15 (6.8)	20 (27)	30 (41)	11/16
GTDBB-4P40	4"	40	3.83 (97.3)	0.20 (5.1)	10 (254)	3-1/2 (89)	16 (7.3)	20 (27)	30 (41)	11/16
GTDBB-4P10	4"	10S	4.06 (103.1)	0.20 (5.1)	10 (254)	3-1/2 (89)	20 (9.0)	20 (27)	30 (41)	11/16
GTDBB-6P160	6"	XXS	4.70 (119.4)	0.20 (5.1)	12-3/8 (314)	4 (102)	28 (12.7)	70 (95)	110 (149)	1-1/16
GTDBB-6P160	6"	160	4.99 (126.7)	0.20 (5.1)	12-3/8 (314)	4 (102)	32 (14.4)	70 (95)	110 (149)	1-1/16
GTDBB-6P120	6"	120	5.30 (134.6)	0.20 (5.1)	12-3/8 (314)	4 (102)	36 (16.2)	80 (109)	120 (163)	1-1/16
GTDBB-6P80	6"	80	5.56 (141.2)	0.20 (5.1)	12-3/8 (314)	4 (102)	40 (18.2)	80 (109)	130 (176)	1-1/16
GTDBB-6P40	6"	40	5.87 (149.1)	0.20 (5.1)	12-3/8 (314)	4 (102)	42 (19.1)	90 (122)	140 (190)	1-1/16
GTDBB-6P10	6"	10S	6.16 (156.5)	0.20 (5.1)	12-3/8 (314)	4 (102)	47 (21.2)	90 (122)	140 (190)	1-1/16

GripTight® Isolation Plug - Multishaft 8" – 24" Test Plug Specifications

GTRP Specifications		
Between the Seals Maximum Test Pressure	2250 PSIG	(155 BARG)
Upstream Maximum Pressure	1500 PSIG	(103 BARG)
Operational Temperature Range	-10°F thru 180°F	(-23°C thru 82°C)
Pipe Size Range	8" thru 24" – Various Schedules	
Standard Seal Material	Urethane	
Standard Plug Material	Aluminum Body, Zinc Plated Steel Grippers	
Required Pipe ID Condition	No Sediment, Scale, Pitting, or Corrosion.	
Compatible Test Media	Water, Air, Glycol (Low Temperature Applications)	
Compliance with Industry Standard Testing	ASME B16.5, ASME B31.1, ASME B31.3, and ASME PCC-2	



	NEAR SUPPORT	SEAL	SPACER	PORT ADAPTER	FAR SUPPORT	COMP WASHER	GRIPPER	SPRING	CONE	RETAINING PLATE	EYEBOLT	HEXNUT	HRDND WASHER	O-RING (LARGE)	O-RING (SMALL)	SCREW	HOSE
ITEM#	5	10	15	20	25	30	35	40	45	50	55	60	65	70	75	80	85
QTY	1	2	1	1	1	1	VARIOUS	2	1	1	2	VARIOUS	VARIOUS	2	1	VARIOUS	2

Asia Pacific
EST Group Asia
35 Tannery Rd. #11-10 Tannery Block
Rudy Industrial Complex
Singapore 347740
(P) +65 6745 8660
(F) +65 6742 8700
est-asia@curtisswright.com

Europe / Middle East / Africa
EST Group B.V.
Hoorn 312a
2404 HL Alphen aan den Rijn
The Netherlands
(P) +31 172 418841
(F) +31 172 418849
est-emea@curtisswright.com

North America / Central & South America
Corporate Office
2701 Township Line Rd
Hatfield, PA 19440-1770 USA
(P) +1 215 721 1100
+1 800 365 7044
(F) +1 215 721 1101
est-info@curtisswright.com

EST Group
CURTISS WRIGHT
Flow Control Company
<http://estgroup.cwfc.com>

GripTight® Isolation Plug - Multishaft

8" – 24" Technical Specifications

Asia Pacific
EST Group Asia
35 Tannery Rd. #11-10 Tannery Block
Ruby Industrial Complex
Singapore 347740
(P) +65 6745 8560
(F) +65 6742 8700
est-asia@curtisswright.com

Europe / Middle East / Africa
EST Group B.V.
Hoorn 312a
2404 HL Alphen aan den Rijn
The Netherlands
(P) +31 172 418841
(F) +31 172 418849
est-emea@curtisswright.com

North America / Central & South America
Corporate Office
2701 Township Line Rd
Hatfield, PA 19440-1770 USA
(P) +1 215 721 1100
+1 800 355 7044
(F) +1 215 721 1101
est-info@curtisswright.com

 **EST Group**
<http://estgroup.cwfc.com>

Sales Part Number	Pipe Size	Pipe SCH	Plug OD [in (mm)]	Clearance Between Plug & Pipe [in (mm)]	Length [in (mm)]	Distance Between Seals [in (mm)]	Approx. Weight [lb. (kg)]	Normal Installation Torque [ft-lbs. (N-m)]	Maximum Installation Torque [ft-lbs. (N-m)]	Hex Nut Size [in]
GTDBB-8P160	8"	160	6.56 (167)	0.25 (6.4)	15-3/4 (400)	5 (127)	54 (25)	125 (169)	200 (271)	1-7/16
GTDBB-8PXXS	8"	XXS	6.63 (168)	0.25 (6.4)	15-3/4 (400)	5 (127)	55 (25)	125 (169)	200 (271)	1-7/16
GTDBB-8P140	8"	140	6.75 (171)	0.25 (6.4)	15-3/4 (400)	5 (127)	56 (26)	125 (169)	200 (271)	1-7/16
GTDBB-8P120	8"	120	6.94 (176)	0.25 (6.4)	15-3/4 (400)	5 (127)	59 (27)	125 (169)	200 (271)	1-7/16
GTDBB-8P100	8"	100	7.19 (183)	0.25 (6.4)	15-3/4 (400)	5 (127)	63 (28)	125 (169)	200 (271)	1-7/16
GTDBB-8P80	8"	80	7.38 (187)	0.25 (6.4)	15-3/4 (400)	5 (127)	66 (30)	150 (203)	225 (305)	1-5/8
GTDBB-8P60	8"	60	7.56 (192)	0.25 (6.4)	15-3/4 (400)	5 (127)	69 (31)	175 (237)	250 (339)	1-5/8
GTDBB-8P40	8"	40/STD	7.73 (196)	0.25 (6.4)	15-3/4 (400)	5 (127)	70 (32)	175 (237)	250 (339)	1-5/8
GTDBB-8P20	8"	20	7.88 (200)	0.25 (6.4)	15-3/4 (400)	5 (127)	75 (34)	175 (237)	250 (339)	1-5/8
GTDBB-8P10	8"	10S	8.08 (205)	0.25 (6.4)	15-3/4 (400)	5 (127)	79 (36)	175 (237)	250 (339)	1-5/8
GTDBB-10P160	10"	160	8.25 (210)	0.25 (6.4)	16-1/8 (410)	5 (127)	82 (37)	200 (271)	275 (373)	1-5/8
GTDBB-10PXXS	10"	XXS	8.50 (216)	0.25 (6.4)	16-1/8 (410)	5 (127)	88 (40)	200 (271)	275 (373)	1-5/8
GTDBB-10P100	10"	100	9.06 (230)	0.25 (6.4)	16-1/8 (410)	5 (127)	101 (46)	200 (271)	275 (373)	1-5/8
GTDBB-10P80	10"	80	9.31 (236)	0.25 (6.4)	16-1/8 (410)	5 (127)	110 (50)	200 (271)	275 (373)	1-5/8
GTDBB-10PXS	10"	60/XS	9.50 (241)	0.25 (6.4)	16-1/8 (410)	5 (127)	113 (51)	200 (271)	275 (373)	1-5/8
GTDBB-10P40	10"	40/STD	9.77 (248)	0.25 (6.4)	16-1/8 (410)	5 (127)	115 (52)	225 (305)	300 (407)	1-5/8
GTDBB-10P10	10"	10S	10.17 (258)	0.25 (6.4)	16-1/8 (410)	5 (127)	133 (61)	225 (305)	300 (407)	1-5/8
GTDBB-12P160	12"	160	9.75 (248)	0.38 (9.7)	17 (432)	5 (127)	120 (55)	200 (271)	250 (339)	1-5/8
GTDBB-12PXXS	12"	XXS	10.37 (264)	0.38 (9.7)	17 (432)	5 (127)	140 (64)	200 (271)	250 (339)	1-5/8
GTDBB-12P80	12"	80	11.00 (279)	0.38 (9.7)	17 (432)	5 (127)	160 (73)	200 (271)	250 (339)	1-5/8
GTDBB-12P40	12"	40	11.62 (295)	0.32 (8.1)	17 (432)	5 (127)	165 (75)	225 (305)	275 (373)	1-5/8
GTDBB-12P40	12"	STD	11.62 (295)	0.38 (9.7)	17 (432)	5 (127)	165 (75)	225 (305)	275 (373)	1-5/8
GTDBB-14P80	14"	80	12.12 (308)	0.38 (9.7)	18 (457)	6-1/2 (165)	230 (105)	225 (305)	275 (373)	1-5/8
GTDBB-14P40	14"	40	12.74 (324)	0.38 (9.7)	18 (457)	6-1/2 (165)	238 (108)	225 (305)	275 (373)	1-5/8
GTDBB-14PSTD	14"	30/STD	12.87 (327)	0.38 (9.7)	18 (457)	6-1/2 (165)	253 (115)	225 (305)	275 (373)	1-5/8
GTDBB-16P160	16"	160	12.43 (316)	0.38 (9.7)	19-1/2 (495)	6-1/2 (165)	237 (108)	200 (271)	250 (339)	1-5/8
GTDBB-16P80	16"	80	13.93 (354)	0.38 (9.7)	19-1/2 (495)	6-1/2 (165)	310 (141)	200 (271)	250 (339)	1-5/8
GTDBB-16P40	16"	40/XS	14.62 (371)	0.38 (9.7)	19-1/2 (495)	6-1/2 (165)	325 (148)	225 (305)	275 (373)	1-5/8
GTDBB-16PSTD	16"	30/STD	14.87 (378)	0.38 (9.7)	19-1/2 (495)	6-1/2 (165)	345 (157)	250 (339)	300 (407)	1-5/8
GTDBB-18P80	18"	80	15.74 (400)	0.38 (9.7)	21 (433)	6-1/2 (165)	410 (186)	250 (339)	300 (407)	1-5/8
GTDBB-18P40	18"	40	16.50 (419)	0.38 (9.7)	21 (433)	6-1/2 (165)	430 (195)	250 (339)	300 (407)	1-5/8
GTDBB-18PSTD	18"	STD	16.87 (428)	0.38 (9.7)	21 (433)	6-1/2 (165)	464 (211)	275 (373)	325 (441)	1-5/8
GTDBB-20P80	20"	80	17.56 (446)	0.38 (9.7)	22 (559)	6-1/2 (165)	520 (236)	225 (305)	275 (373)	1-5/8
GTDBB-20P40	20"	40	18.43 (468)	0.38 (9.7)	22 (559)	6-1/2 (165)	546 (546)	175 (237)	225 (305)	1-5/8
GTDBB-20PSTD	20"	20/STD	18.87 (479)	0.38 (9.7)	22 (559)	6-1/2 (165)	612 (248)	225 (305)	275 (373)	1-5/8
GTDBB-24P80	24"	80	21.18 (538)	0.38 (9.7)	23-1/2 (597)	6-1/2 (165)	860 (390)	275 (373)	325 (441)	1-5/8
GTDBB-24P40	24"	40	22.24 (565)	0.38 (9.7)	23-1/2 (597)	6-1/2 (165)	900 (410)	300 (407)	350 (475)	1-5/8
GTDBB-24PSTD	24"	20/STD	22.87 (581)	0.38 (9.7)	23-1/2 (597)	6-1/2 (165)	990 (451)	275 (373)	325 (441)	1-5/8

GripTight® Isolation Plug Technical References

- DC2689 – EST Group Operating Procedures for 3/4” thru 3” GripTight Isolation Test Plug
- DC2690 – EST Group Operations Procedures for 4” thru 12” GripTight Isolation Test Plug
- DC2692– GripTight Isolation Test Plug Technical Specification
- DC8018 – EST Group GripTight ISO Test Plug Product Brochure
- DC8079 – EST Group GripTight ISO Test Plug Fact Sheet
- ASME B16.5 – Pipe Flanges and Flanged Fittings
- ASME B31.1 – Power Piping
- ASME B31.3 – Process Piping
- ASME PCC-2 – Repair of Pressure Equipment and Piping