

Pop-A-Plug® System Ram Packages



- Ram Packages*
- CPI Plugs*
- P2 High Pressure Plugs*
- Perma Plugs*
- Tube Stabilizers*
- Manual Installation Tools*
- Plug Removal Tools*



Installs Pop-A-Plug® Tube Plugs Quickly, Safely and Easily.

There's no better way to install EST's Pop-A-Plugs than with our Ram Installation Equipment. Our PAP-6600 Small Ram Package hydraulically installs plugs up to 1.160" (29.46 mm) diameter in seconds. With a hydraulic ram weighing only 7 pounds (3.17 kg) and a total package weight of 35 pounds (15.88 kg), the PAP-6600 is compact, lightweight, and easy to use. Radial clearance of 1.750" (44.5 mm) is needed around the tube end, along with 7.500" (190.5 mm) axial clearance outward from the tube end. Here's what the PAP-6600 Small Ram Package offers:



- **A compact, air driven hydraulic pump:** Requires a shop air supply of 40 to 125 psig (2.7-8.6 bar). Normal consumption is 20 CFM at 100 psi (6.8 bar). The connection to the pump is 1/4" NPFT.
- **10 feet of 10,000 psi hydraulic hose.**
- **Two complete 10,000 psi Quick Connects.**
- **A rugged glycerin-filled 10,000 psi pressure gauge.**
- **A metal storage box.**



World Headquarters:
Expansion Seal Technologies
 2701 Township Line Road
 Hatfield, PA 19440-1770 USA
 Tel: 1-215-721-1100 Fax: 1-215-721-1101
 Toll-Free: 1-800-355-7044

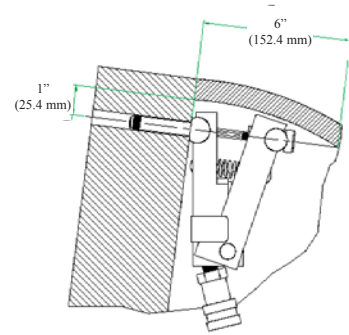
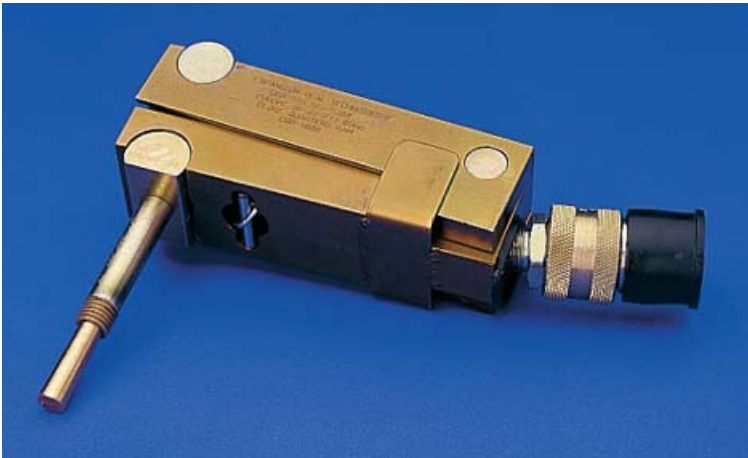
Expansion Seal Technologies EMEA
 Hoorn 312a • 2404 HL Alphen aan den Rijn
 The Netherlands
 Tel: +31-172-418841
 Fax: +31-172-418849

Expansion Seal Technologies Asia Pte Ltd.
 35 Tannery Rd, #11-10 Tannery Block
 Ruby Industrial Complex
 Singapore 347740
 Tel: +65-6745-8560 Fax: +65-6742-8700

SPECIALISTS IN TUBE TESTING, SLEEVING AND PLUGGING TECHNOLOGY

AN ISO-9001 REGISTERED COMPANY

Tight Space? No Problem.



EST's Close Quarters Ram lets you install Pop-A-Plugs even when there's only minimal clearance around the tube end - in the outermost row of tubes in a close head feedwater heater, for example, or in the tubes adjacent to a

pass partition or divider plate.

The Close Quarters Ram is available by itself (*Part # CQR-1000*) or as part of the PAP-7600 Ram Package (*also includes the items in the PAP-6600 Ram Package*).

Pull Rod Assemblies for Close Quarters Ram

Part Number	P2 Plug Size
CQP-400-440	.400 to .440
CQP-460-500	.460 to .500
CQP-520-580	.520 to .580
CQP-600-680	.600 to .680
CQP-700-780	.700 to .780
CQP-800-860	.800 to .860

Large Ram Package



For P2's larger than 1.160" (29.46 mm). The PAP-1750 Ram Package includes the same air activated

hydraulic pump and high pressure hose assembly as supplied with the Small Ram Package.

Ram Package Ordering Information

- **Small Ram Package:** Order PAP-6600.
- **Small Ram and Close Quarters Ram Package:** Order PAP-7600.
- **Close Quarters Ram Package:** Order CQR-1000 and specify plug sizes to be installed; also order the appropriate CQP pull rod assembly, i.e. a CQP-520-580 to install P2 plugs in the .520" to .580" range.
- **For use with Small and Large Ram Packages:** You will also need a pull rod assembly matched to the plug you are installing to complete your installation kit.

Specifications subject to change without notice



World Headquarters:
Expansion Seal Technologies
 2701 Township Line Road
 Hatfield, PA 19440-1770 USA
 Tel: 1-215-721-1100 Fax: 1-215-721-1101
 Toll-Free: 1-800-355-7044

Expansion Seal Technologies EMEA
 Hoorn 312a • 2404 HL Alphen aan den Rijn
 The Netherlands
 Tel: +31-172-418841
 Fax: +31-172-418849

Expansion Seal Technologies Asia Pte Ltd.
 35 Tannery Rd, #11-10 Tannery Block
 Ruby Industrial Complex
 Singapore 347740
 Tel: +65-6745-8560 Fax: +65-6742-8700

SPECIALISTS IN TUBE TESTING, SLEEVING AND PLUGGING TECHNOLOGY

AN ISO-9001 REGISTERED COMPANY