

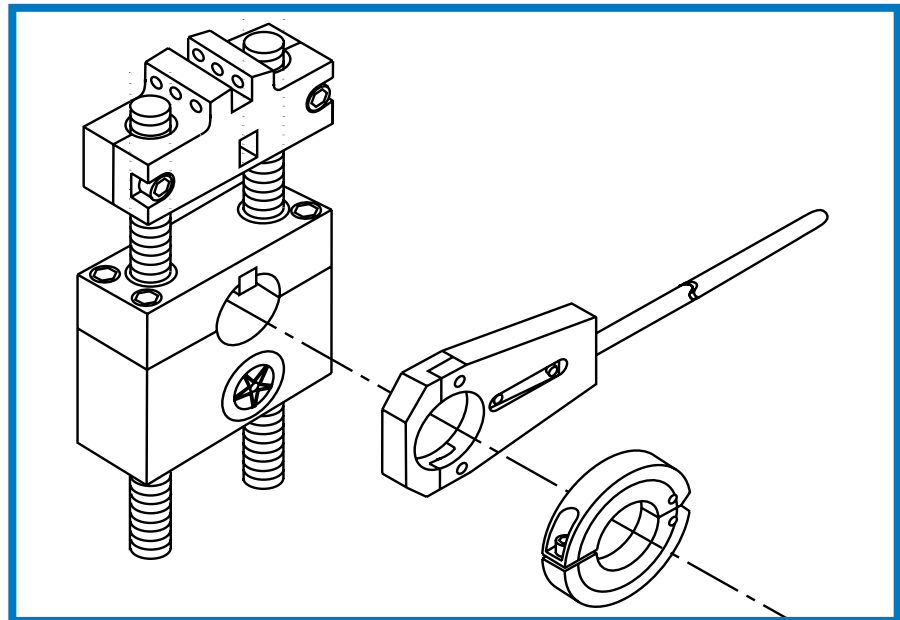
For the BB3000 Portable Boring Machine

The facing head for the BB3000 Boring Machine is quick to set up and easy to use.

Face from 2 - 7 inches (50.8 - 177.8 mm) in diameter, or from 2 - 10 inches (50.8 - 254.0 mm) in diameter with the longer leadscrew set.

The facing head needs only 3.7 inches (94.0 mm) of clearance from the surface being faced to mount to the bar and operate.

- Simple to set up and use.
- Lightweight, only about 9 lbs (4.1 kg).
- Faces 2 - 7 inches (50.8 - 177.8 mm) in diameter, swings within a 7.25 inch (184.2 mm) diameter.
- Optional leadscrew set faces 2 - 10 inches (50.8 - 254.0 mm) in diameter, swings within a 10.25 inch (260.4 mm) diameter.
- Fixed feed rate of 0.005 (0.127 mm) per revolution.
- Bi-directional operation.

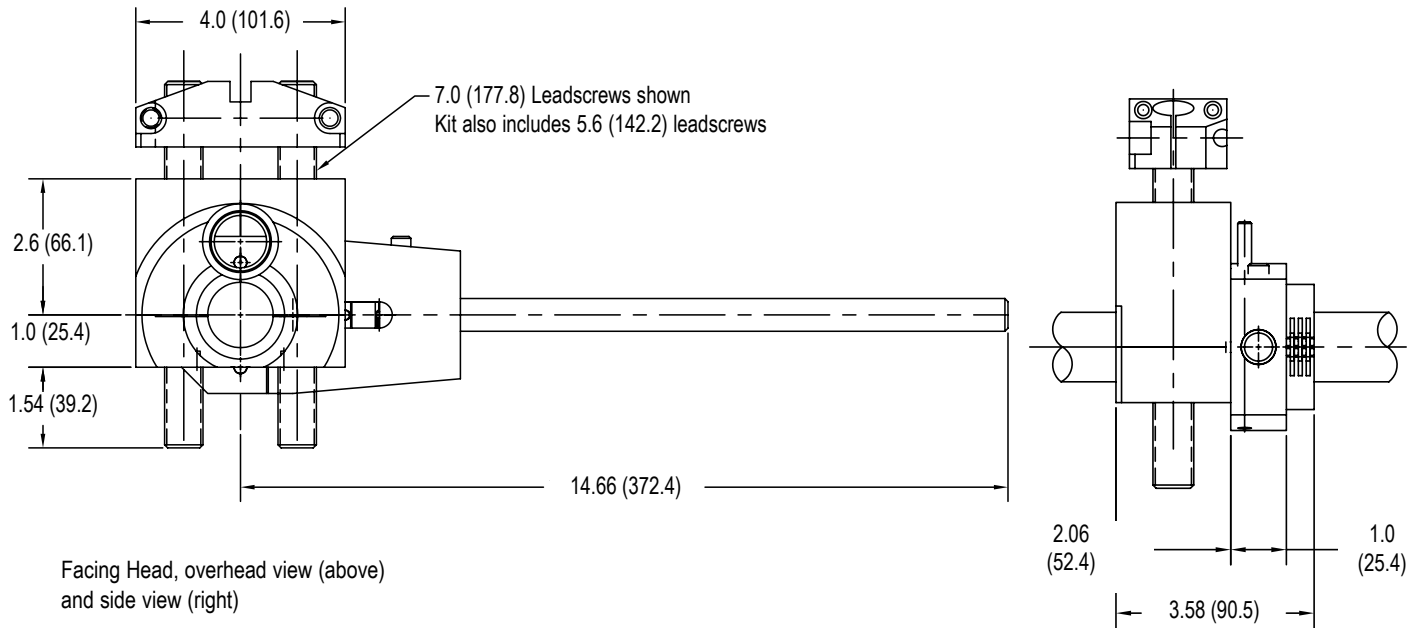


Ordering Information

31412 Facing Head Assembly

BB3000 FACING HEAD OPERATIONAL DIMENSIONS

Dimensions in Inch (mm)



Call Climax for:

On-site Training

Need some refresher courses in setting up and operating your Climax machine tool?

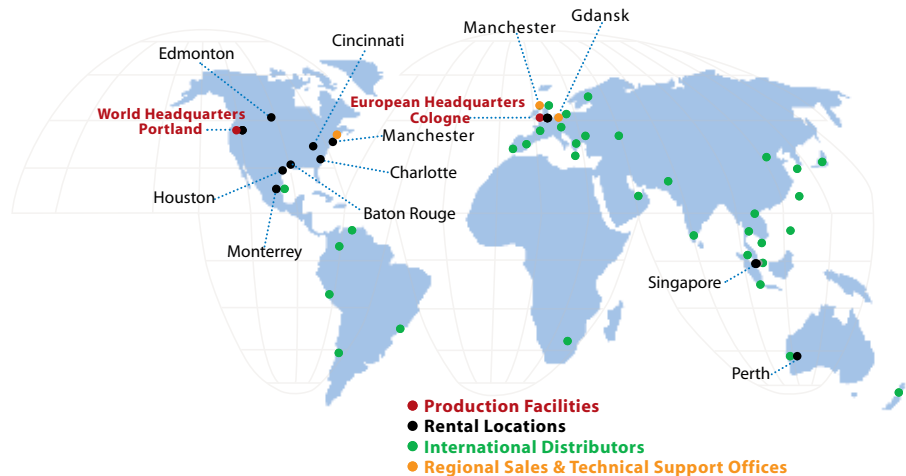
Special Projects

Climax has been solving complicated on-site machining and welding problems for our customers since 1964.

Rentals

With 16 worldwide rental depot locations, you are never far away from a Climax portable machine tool.

Climax Global Locations



Connect with us:

World Headquarters

2712 E. Second Street
 Newberg, Oregon 97132 USA
 Worldwide Telephone: 1.503.538.2185
 N. America Toll-Free: 1.800.333.8311
 Fax: 1.503.538.7600
 Email: info@cpmt.com

European Headquarters

Am Langen Graben 8
 52353 Düren, Germany
 Telephone: (+49) (0) 2421.9177.0
 Fax: (+49) (0) 2421.9177.29
 Email: info@cpmt.de