



450 - 1.350 Nm

MAX SPEED 85 RPM

LIGHTWEIGHT FRL UNIT (2 KG)

AUTOMATIC 2-SPEED

FAST AND LIGHT

DOUBLE SAFETY TRIGGER

OPTION

SPECIFICATIONS

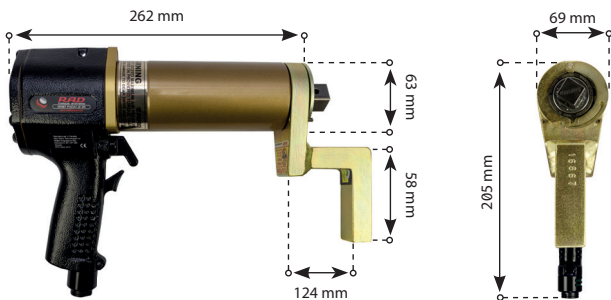
- **TORQUE RANGE:** 450 - 1.350 Nm.
- **SPEED:** 85 RPM.
- **WEIGHT:** 4,5 Kg, excluding reaction arm and impact socket.
- **SQUARE DRIVE:** 3/4 inch square drive.
- **NOISE LEVEL:** 80 dB.
- **REPEATABILITY ON SAME JOINT*:** +/- 2%.

* -Test results from RAD's certified calibration lab

SUITABLE REACTION ARMS

Standard	Deep socket	Double ended
PN: 13366	PN: 13367	PN: 13368
Blank	Double ended blank	Safety sliding
PN: 13364	PN: 13365	PN: 25243

DIMENSIONS IN MM



TOOL KIT INCLUDING

- 14 GX-2
- Standard reaction arm (PN: 13366)
- Retaining ring (PN: 12733)
- Lightweight FRL unit (2 Kg)
- 3.6 meter hose
- Airmotor oil for the FRL unit
- User manual
- Calibration certificate
- Safety instruction on USB stick



ACCESSOIRES

Product	Part number
Double safety trigger (option)	200142
Swivelling tool handle (option)	On request
Tool hanger (option)	On request
Peli cube case (option)	200317
EX certification (option)	200850

